

Trim for Swinging Patio Doors
(Multi Point Lock Trim)

EMTEK[®]

ASSA ABLOY

January 2008

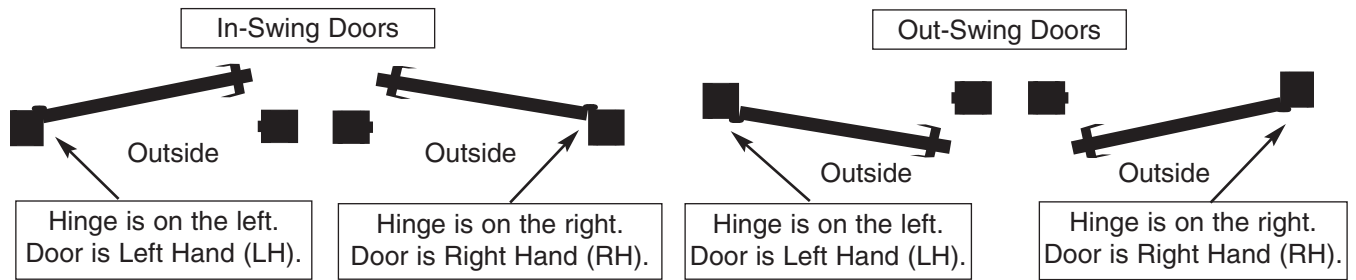


An ASSA ABLOY Group brand

ASSA ABLOY

Distinctive. Hardware for Time. Homes.

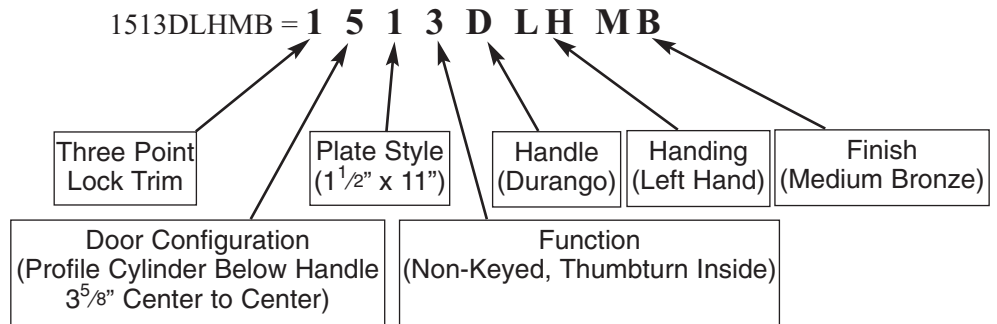
HAND OF DOOR IS ALWAYS DETERMINED FROM THE OUTSIDE



FINISHES

US7 - French Antique
US10B - Oil Rubbed Bronze
US15 - Satin Nickel
US15A - Pewter
PVD-Lifetime
DB - Deep Burgundy
FB - Flat Black
MB - Medium Bronze
SP - Silver Patina

PRODUCT CODE FORMAT




TERMS AND CONDITIONS OF SALE

TERMS:

Net 30 Days on established credit.

FREIGHT:

Emtek pays the freight on all shipments via three day service. 

RETURNED GOODS:

Merchandise may be returned only with approval from the factory. A factory issued RGA number must accompany all returns. All returns must be sent freight prepaid. Returned goods are subject to a 15% handling charge.

MINIMUM ORDER:

There is no minimum order quantity. A \$5.00 handling charge will be added to orders valued at less than \$50.00 net.

PATINA FINISHES:

Sandcast & Lost Wax Cast Bronze products have patina finishes that will gracefully age showing highlights of the underlying bronze over time.

PRICES:

Prices are subject to change without prior notice.

WARRANTY:

See last page of this booklet for warranty information.

Trim for Swinging Patio Doors (Multi Point Lock Trim)

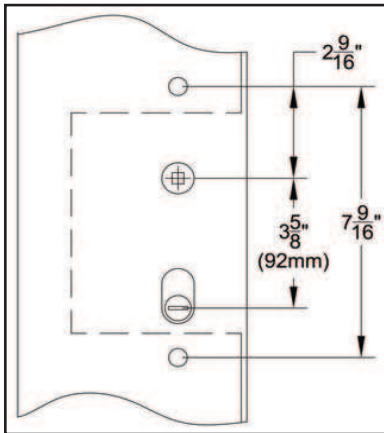
	PAGE
Door Configuration #1 _____ American Cylinder Hub Below Handle, 3 ⁵ / ₈ " Center to Center ref. G-U®, Marvin Integrity®, KML by Andersen®, Atrium®, Superior®	5-8
Door Configuration #2 _____ American Cylinder Hub Above Handle, 3 ⁵ / ₈ " Center to Center ref. G-U®, Eagle®, BiltBest®, Hurd® (Energy Save Line)	9-12
Door Configuration #3 _____ American Cylinder Hub Above Handle, 4 ¹ / ₈ " Center to Center, ref. Andersen®	13-16
Door Configuration #4 _____ American Cylinder Hub Above Handle, 3 ⁵ / ₈ " Center to Center ref. Ashland®, Caradco®, Marvin®, Milgard® , PGT®, Jeldwen® Customer Collection (formerly Pozzi®)	17-20
Door Configuration #5 _____ Euro Profile Cylinder Below Handle, 3 ⁵ / ₈ " Center to Center ref. Hoppe®, Hurd®, JELD-WEN®, Kolbe & Kolbe®, Lincoln®, Loewen®,Peachtree®, Premium Collection (formerly Norco®), Semco®, Vetter®, Weathershield®, Therma-Tru® , Willmar®, Sierra Pacific®, KfV®, Simpson®, Signature®, Crestline®, Windsor®	21-24
Door Configuration #6 _____ American Cylinder Hub Below Handle, 3 ⁵ / ₈ " Center to Center ref. Pella®	25-28
Door Configuration #7 _____ American Cylinder Hub Above Handle, 6" Center to Center for doors made by W&F MANUFACTURING® (AKA Trillanium®)	29-31

Disclaimer:

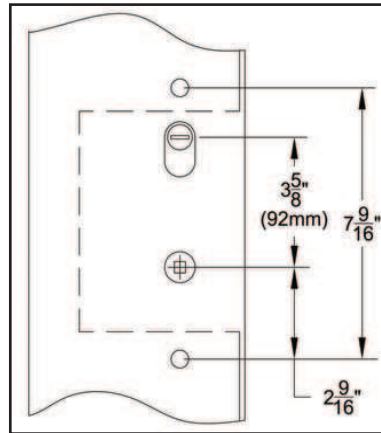
Door Manufacturers listed under each configuration are for reference only and are subject to change. Please contact Emtek's customer service department to confirm product model.

G-U® is a registered trademark of G-U Hardware, Inc. Pella® is a registered trademark of Pella Corporation. Sierra Pacific Windows® is a registered trademark of Sierra Pacific Industries. Superior® is a registered trademark of Superior Engineered Products Corporation. Willmar® is a registered trademark of JELD-WEN of Canada Ltd. Andersen® is a registered trademark of Andersen Corporation. Trillanium® is a registered trademark of Trillanium. Eagle® is a registered trademark of Eagle Window and Door, Inc, BiltBest® is a registered trademark of BiltBest Windows and Patio Doors. Ashland® is a registered trademark of Ashland Products, Inc. Caradco®, JELD-WEN, Norco® and Pozzi® are registered trademarks of JELD-WEN Inc., Oregon, USA. Integrity® and Marvin® are registered trademarks of Marvin Windows and Doors. Milgard® is a registered trademark of Milgard Windows, Inc. Therma-Tru® is a registered trademark of Therma-Tru Doors®. HOPPE® is a registered trademark of HOPPE North America, Inc. Hurd® is a registered trademark of Hurd Millwork Company. Kolbe & Kolbe® is a registered trademark of Kolbe & Kolbe Millwork Company, Inc. Lincoln® is a registered trademark of Lincoln Wood Products, Inc. Loewen® is a registered trademark of Loewen Windows. PGT® is a registered trademark of PGT Industries. Peachtree® and Vetter® are registered trademark of The Peachtree Companies, Inc. Semco® is a registered trademark of Semling-Menke Co. Inc. Weathershield® is a registered trademark of Weathershield Mfg. Inc. KML by Andersen® is a registered trademark of KML by Andersen. Atrium® is a registered trademark of Atrium. KfV® is a registered trademark of KfV. Simpson® is a registered trademark of Simpson. Signature® is a registered trademark of Signature. Crestline® is a registered trademark of Crestline. Winsor® is a registered trademark of Winsor. W&F MANUFACTURING® is a registered trademark of W&F MANUFACTURING. None of the aforementioned companies are affiliated with Emtek Products, Inc.

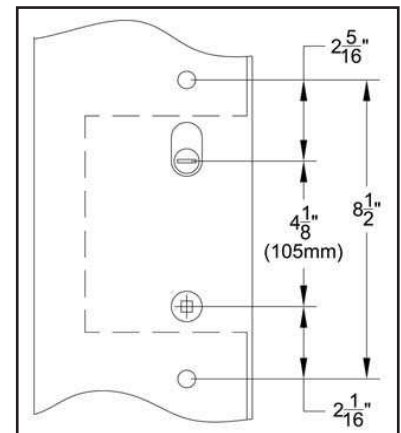
**Choose trimsets for seven door and lock configurations.
Both keyed and non-keyed functions available for each configuration**



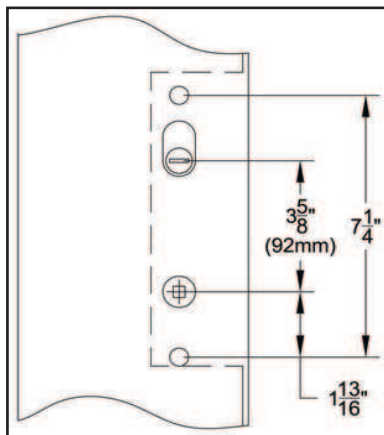
Door Configuration #1
American Cylinder Below Handle
3 5/8" Center to Center



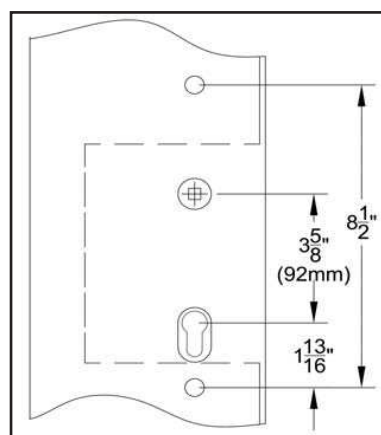
Door Configuration #2
American Cylinder Above Handle
3 5/8" Center to Center



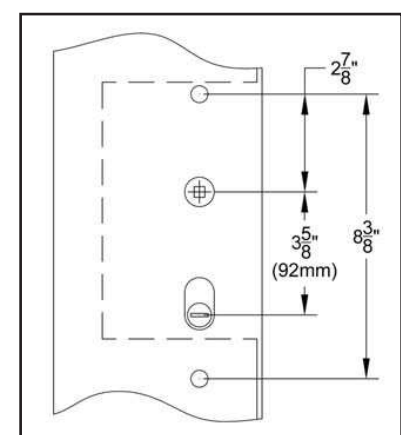
Door Configuration #3
American Cylinder Above Handle
4 1/8" Center to Center



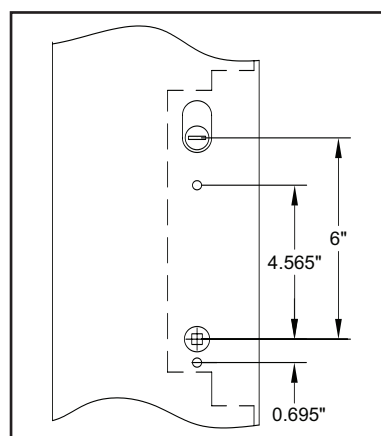
Door Configuration #4
American Cylinder Above Handle
3 5/8" Center to Center



Door Configuration #5
Euro Profile Cylinder Below Handle
3 5/8" Center to Center

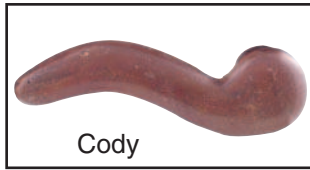


Door Configuration #6
American Cylinder Below Handle
3 5/8" Center to Center

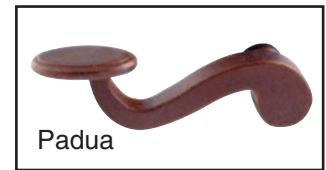
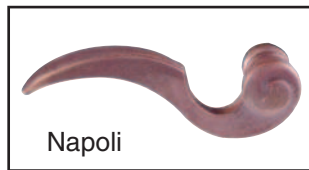


Door Configuration #7
American Cylinder Hub Above Handle
6" Center to Center

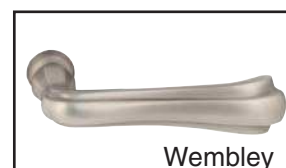
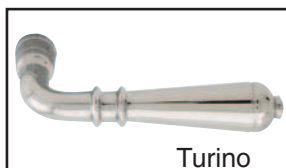
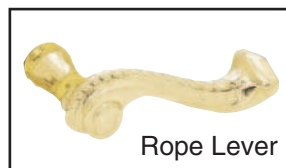
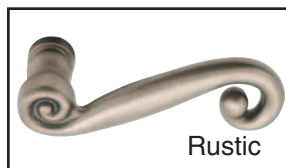
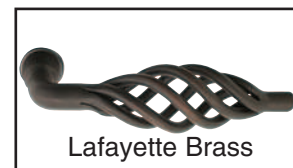
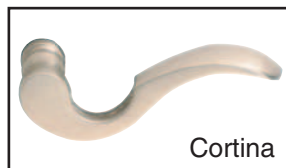
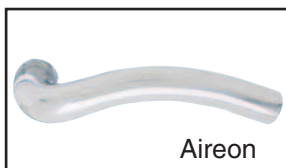
Sandcast Bronze Lever Options



Lost Wax Cast Bronze Lever Options



Brass Lever Options

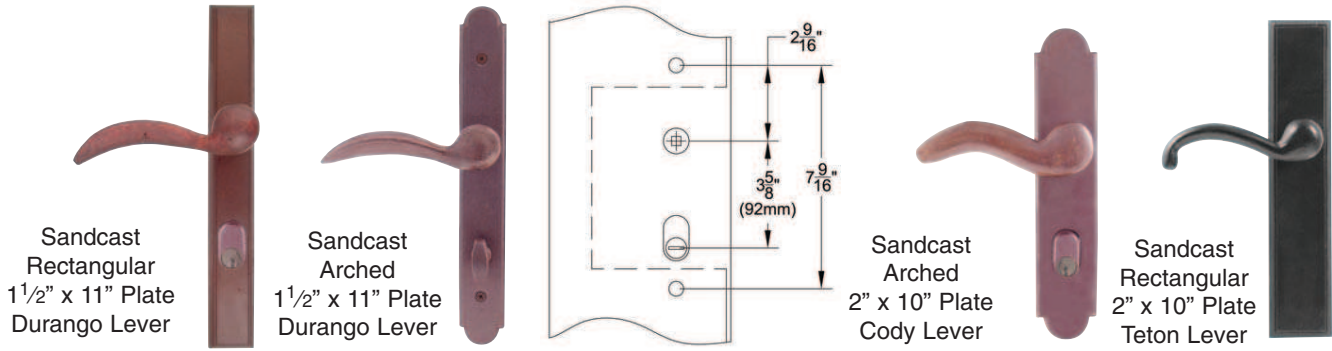


Sandcast Bronze Trim and Cylinders for Multi Point Locks

Swinging Patio Door Hardware - Set includes Plates, Handles and Cylinders (where applicable)

Door Configuration #1

G-U®, Marvin Integrity®, KML by Andersen®, Atrium®, Superior®



Sandcast Bronze Arched Plates

Sets with 1 1/2" x 11" Plates

- Keyed with American Cylinder _____ 1111 (Schlage® keyway, rekeyable)
- Non-Keyed, Passage _____ 1112
- Non-Keyed, American Style _____ 1113 Thumbturn Inside
- Non-Keyed, Fixed Handle Outside, _____ 1114 Operating Handle Inside
- Dummy Pair _____ 1115

Sets with 2" x 10" Plates

- Keyed with American Cylinder _____ 1121 (Schlage® keyway, rekeyable)
- Non-Keyed, Passage _____ 1122
- Non-Keyed, American Style _____ 1123 Thumbturn Inside
- Non-Keyed, Fixed Handle Outside, _____ 1124 Operating Handle Inside
- Dummy Pair _____ 1125

Sandcast Bronze Rectangular Plates

Sets with 1 1/2" x 11" Plates

- Keyed with American Cylinder _____ 1151 (Schlage® keyway, rekeyable)
- Non-Keyed, Passage _____ 1152
- Non-Keyed, American Style _____ 1153 Thumbturn Inside
- Non-Keyed, Fixed Handle Outside, _____ 1154 Operating Handle Inside
- Dummy Pair _____ 1155

Sets with 2" x 10" Plates

- Keyed with American Cylinder _____ 1161 (Schlage® keyway, rekeyable)
- Non-Keyed, Passage _____ 1162
- Non-Keyed, American Style _____ 1163 Thumbturn Inside
- Non-Keyed, Fixed Handle Outside, _____ 1164 Operating Handle Inside
- Dummy Pair _____ 1165

Product Code

Specify Lever Style And Handing

Finish

List Price

Durango Cody or Teton Lever (LH/RH)

Deep Burgundy (DB)
Medium Bronze (MB)
Silver Patina (SP)
Flat Black (FB)

\$138⁶⁰

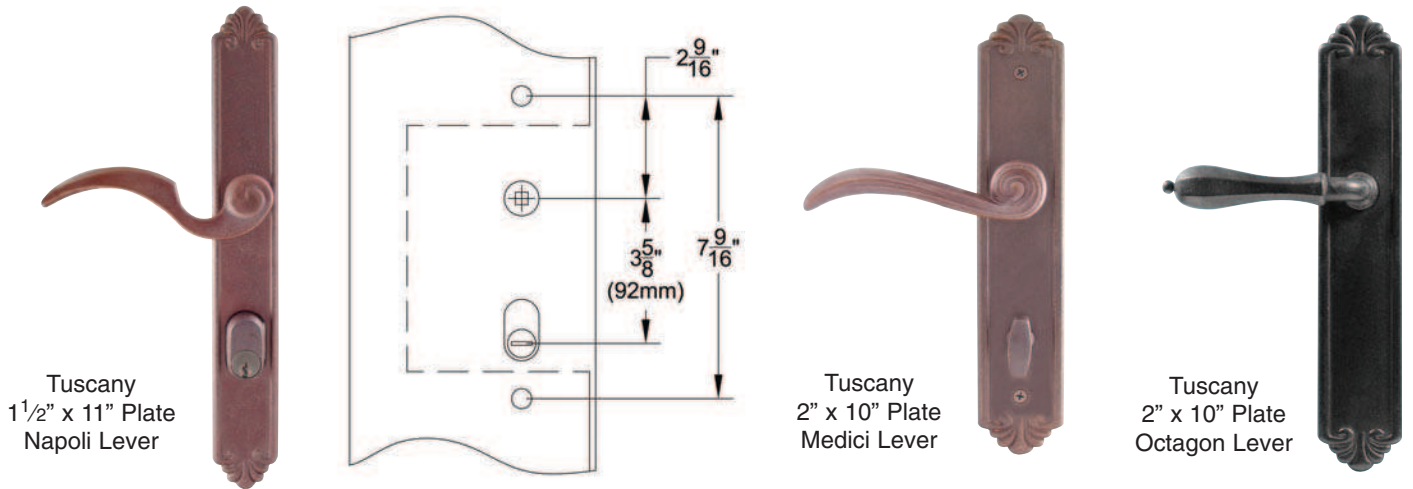
Handing required.
Key codes may be specified.
Sets fit standard door thickness of 1 3/4", specify if different.

Lost Wax Cast Bronze Trim and Cylinders for Multi Point Locks

Swinging Patio Door Hardware - Set includes Plates, Handles and Cylinders (where applicable)

Door Configuration #1

G-U®, Marvin Integrity®, KML by Andersen®, Atrium®, Superior®



Lost Wax Cast Bronze Plates

	Product Code	Specify Lever Style And Handing	Finish	List Price
Sets with 1 1/2" x 11" Plates				
• Keyed with American Cylinder (Schlage® keyway, rekeyable)	1131	Medici Napoli Octagon Padua or Art Nouveau Lever (LH/RH)	Deep Burgundy (DB) Medium Bronze (MB) Silver Patina (SP) Flat Black (FB)	\$138⁶⁰
• Non-Keyed, Passage	1132			
• Non-Keyed, American Style Thumbturn Inside	1133			
• Non-Keyed, Fixed Handle Outside, Operating Handle Inside	1134			
• Dummy Pair	1135			
Sets with 2" x 10" Plates				
• Keyed with American Cylinder (Schlage® keyway, rekeyable)	1141	Medici Napoli Octagon Padua or Art Nouveau Lever (LH/RH)	Deep Burgundy (DB) Medium Bronze (MB) Silver Patina (SP) Flat Black (FB)	\$138⁶⁰
• Non-Keyed, Passage	1142			
• Non-Keyed, American Style Thumbturn Inside	1143			
• Non-Keyed, Fixed Handle Outside, Operating Handle Inside	1144			
• Dummy Pair	1145			

Handing required.
Key codes may be specified.
Sets fit standard door thickness of 1 3/4", specify if different.

Brass Trim and Cylinders for Multi Point Locks

Swinging Patio Door Hardware - Set includes Plates, Handles and Cylinders (where applicable)

Door Configuration #1

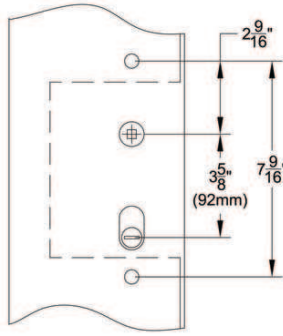
G-U®, Marvin Integrity®, KML by Andersen®, Atrium®, Superior®



Brass Concord
1 1/2" x 11" Plate
Cortina Lever



Brass Petal
1 1/2" x 11" Plate
Elan Lever



Brass Concord
2" x 10" Plate
Milano Lever



Brass Petal
2" x 10" Plate
Lafayette Lever

Brass Plates, Concord Style

Sets with 1 1/2" x 11" Plates

- Keyed with American Cylinder _____ **1171**
- (Schlage® keyway, rekeyable)
- Non-Keyed, Passage _____ **1172**
- Non-Keyed, American Style _____ **1173**
- Thumbturn Inside
- Non-Keyed, Fixed Handle Outside, _____ **1174**
- Operating Handle Inside
- Dummy Pair _____ **1175**

Sets with 2" x 10" Plates

- Keyed with American Cylinder _____ **1181**
- (Schlage® keyway, rekeyable)
- Non-Keyed, Passage _____ **1182**
- Non-Keyed, American Style _____ **1183**
- Thumbturn Inside
- Non-Keyed, Fixed Handle Outside, _____ **1184**
- Operating Handle Inside
- Dummy Pair _____ **1185**

Brass Plates, Petal Style

Sets with 1 1/2" x 11" Plates

- Keyed with American Cylinder _____ **1191**
- (Schlage® keyway, rekeyable)
- Non-Keyed, Passage _____ **1192**
- Non-Keyed, American Style _____ **1193**
- Thumbturn Inside
- Non-Keyed, Fixed Handle Outside, _____ **1194**
- Operating Handle Inside
- Dummy Pair _____ **1195**

Sets with 2" x 10" Plates

- Keyed with American Cylinder _____ **1101**
- (Schlage® keyway, rekeyable)
- Non-Keyed, Passage _____ **1102**
- Non-Keyed, American Style _____ **1103**
- Thumbturn Inside
- Non-Keyed, Fixed Handle Outside, _____ **1104**
- Operating Handle Inside
- Dummy Pair _____ **1105**

Product Code

Specify
Lever Style
And Handing

Finish

List Price

Aireon Cortina Elan Brass Lafayette Milano Ribbon & Reed Rope Rustic Turino Santa Fe or Wembley Lever (LH/RH)	French Antique (US7) Oil Rubbed Bronze (US10B) Satin Nickel (US15) Pewter (US15A) or PVD-Lifetime	\$138⁶⁰	

Handing required.
Key codes may be specified.
Sets fit standard door thickness of 1 3/4", specify if different.

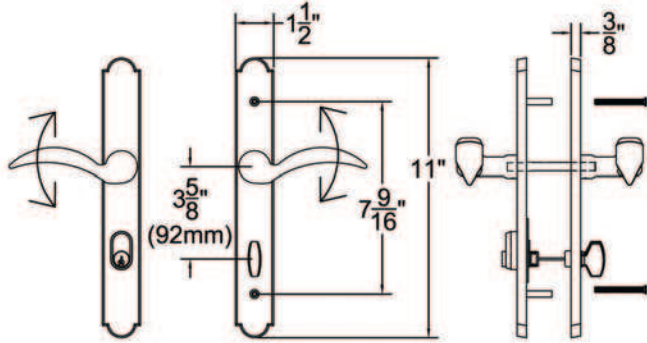
Specification Sheet - Door Configuration #1

Trim and Cylinders for Multi Point Locks

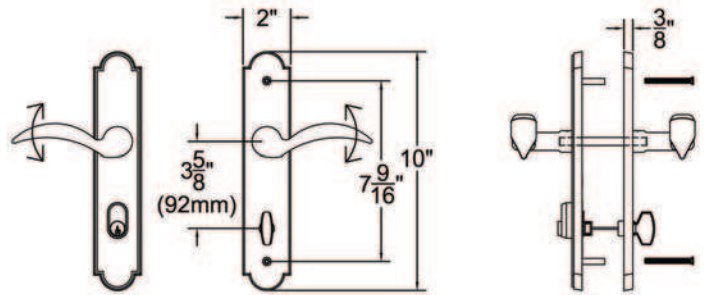
Swinging Patio Door Hardware - Set includes Plates, Handles and Cylinders (where applicable)
G-U®, Marvin Integrity®, KML by Andersen®, Atrium®, Superior®

Keyed with American Cylinder (for Active Door, Schlage Keyway, Rekeyable)

1½" x 11" Plates, Product Codes 1111, 1131, 1151, 1171, 1191

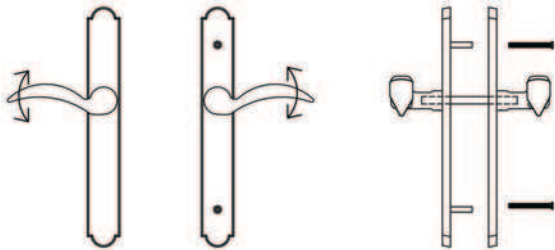


2" x 10" Plates, Product Codes 1121, 1141, 1161, 1181, 1101

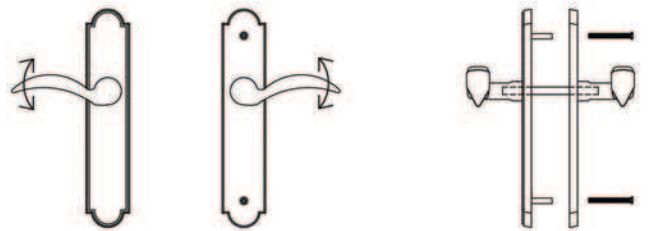


Non-Keyed, Passage (for Semi-Active Door)

1½" x 11" Plates, Product Codes 1112, 1132, 1152, 1172, 1192

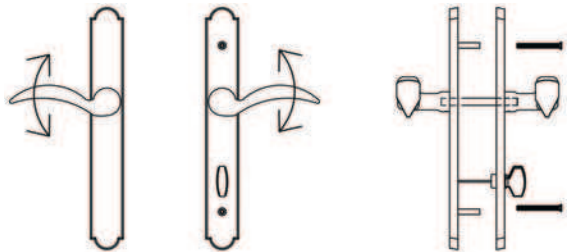


2" x 10" Plates, Product Codes 1122, 1142, 1162, 1182, 1102

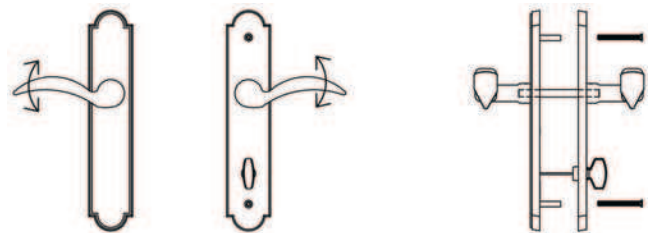


Non-Keyed, American Style Thumbturn Inside (for Active Door)

1½" x 11" Plates, Product Codes 1113, 1133, 1153, 1173, 1193

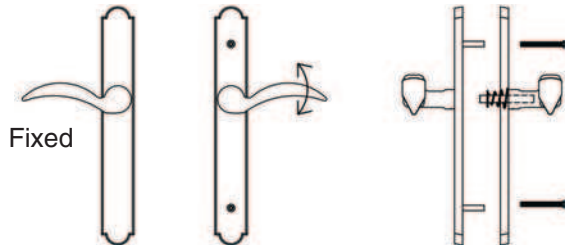


2" x 10" Plates, Product Codes 1123, 1143, 1163, 1183, 1103

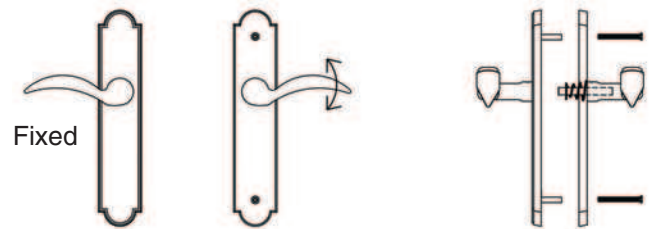


Non-Keyed, Fixed Handle Outside, Operating Handle Inside (for Semi-Active Door)

1½" x 11" Plates, Product Codes 1114, 1134, 1154, 1174, 1194

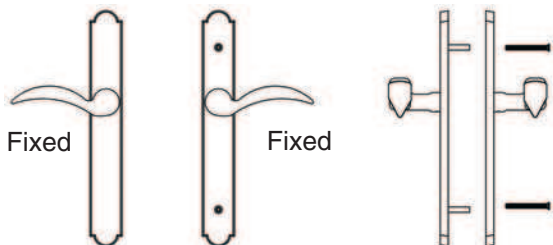


2" x 10" Plates, Product Codes 1124, 1144, 1164, 1184, 1104

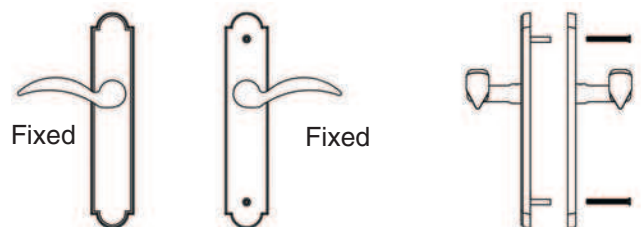


Dummy Pair (for Non-Active Door)

1½" x 11" Plates, Product Codes 1115, 1135, 1155, 1175, 1195



2" x 10" Plates, Product Codes 1125, 1145, 1165, 1185, 1105

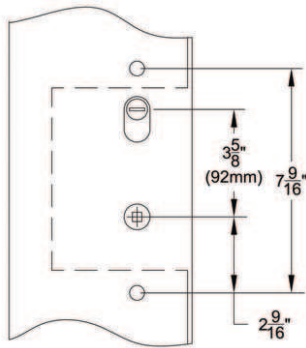


Sandcast Bronze Trim and Cylinders for Multi Point Locks

Swinging Patio Door Hardware - Set includes Plates, Handles and Cylinders (where applicable)

Door Configuration #2

G-U®, Eagle®, BiltBest®, Hurd® (Energy Save Line)



Sandcast Bronze Arched Plates

Sets with 1 1/2" x 11" Plates

- Keyed with American Cylinder (Schlage® keyway, rekeyable) **1211**
- Non-Keyed, Passage **1212**
- Non-Keyed, American Style Thumbturn Inside **1213**
- Non-Keyed, Fixed Handle Outside, Operating Handle Inside **1214**
- Dummy Pair **1215**

Sets with 2" x 10" Plates

- Keyed with American Cylinder (Schlage® keyway, rekeyable) **1221**
- Non-Keyed, Passage **1222**
- Non-Keyed, American Style Thumbturn Inside **1223**
- Non-Keyed, Fixed Handle Outside, Operating Handle Inside **1224**
- Dummy Pair **1225**

Sandcast Bronze Rectangular Plates

Sets with 1 1/2" x 11" Plates

- Keyed with American Cylinder (Schlage® keyway, rekeyable) **1251**
- Non-Keyed, Passage **1252**
- Non-Keyed, American Style Thumbturn Inside **1253**
- Non-Keyed, Fixed Handle Outside, Operating Handle Inside **1254**
- Dummy Pair **1255**

Sets with 2" x 10" Plates

- Keyed with American Cylinder (Schlage® keyway, rekeyable) **1261**
- Non-Keyed, Passage **1262**
- Non-Keyed, American Style Thumbturn Inside **1263**
- Non-Keyed, Fixed Handle Outside, Operating Handle Inside **1264**
- Dummy Pair **1265**

Product Code

Specify Lever Style And Handing

Finish

List Price

Durango Cody or Teton Lever

(LH/RH)

Deep Burgundy (DB)
Medium Bronze (MB)
Silver Patina (SP)
Flat Black (FB)

\$138⁶⁰

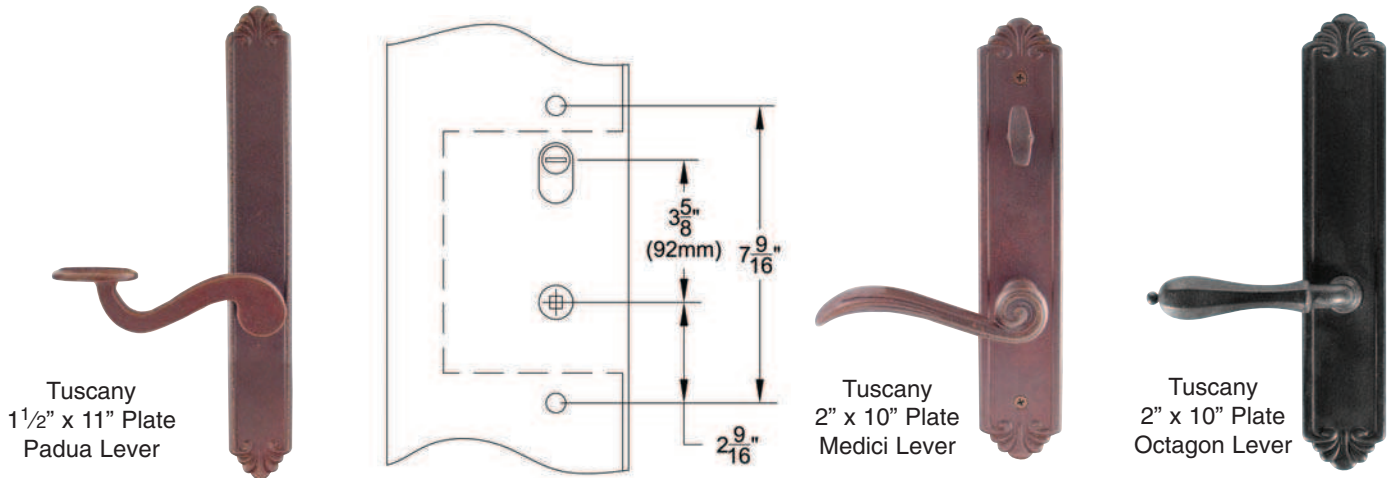
Handing required.
Key codes may be specified.
Sets fit standard door thickness of 1 3/4", specify if different.

Lost Wax Cast Bronze Trim and Cylinders for Multi Point Locks

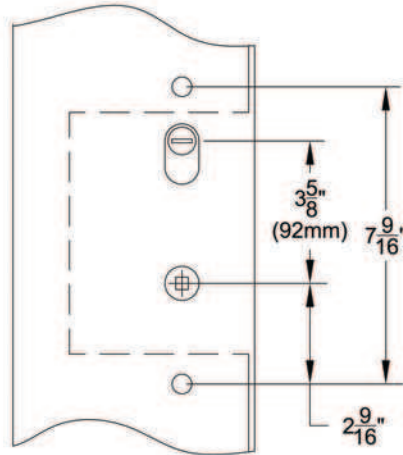
Swinging Patio Door Hardware - Set includes Plates, Handles and Cylinders (where applicable)

Door Configuration #2

G-U®, Eagle®, BiltBest®, Hurd® (Energy Save Line)



Tuscany
1 1/2" x 11" Plate
Padua Lever



Tuscany
2" x 10" Plate
Medici Lever



Tuscany
2" x 10" Plate
Octagon Lever

Lost Wax Cast Bronze Plates

	Product Code	Specify Lever Style And Handing	Finish	List Price
Sets with 1 1/2" x 11" Plates				
• Keyed with American Cylinder (Schlage® keyway, rekeyable)	1231	Medici Napoli Octagon Padua or Art Nouveau Lever (LH/RH)	Deep Burgundy (DB) Medium Bronze(MB) Silver Patina (SP) Flat Black (FB)	\$138⁶⁰
• Non-Keyed, Passage	1232			
• Non-Keyed, American Style Thumbturn Inside	1233			
• Non-Keyed, Fixed Handle Outside, Operating Handle Inside	1234			
• Dummy Pair	1235			
Sets with 2" x 10" Plates				
• Keyed with American Cylinder (Schlage® keyway, rekeyable)	1241	Medici Napoli Octagon Padua or Art Nouveau Lever (LH/RH)	Deep Burgundy (DB) Medium Bronze(MB) Silver Patina (SP) Flat Black (FB)	\$138⁶⁰
• Non-Keyed, Passage	1242			
• Non-Keyed, American Style Thumbturn Inside	1243			
• Non-Keyed, Fixed Handle Outside, Operating Handle Inside	1244			
• Dummy Pair	1245			

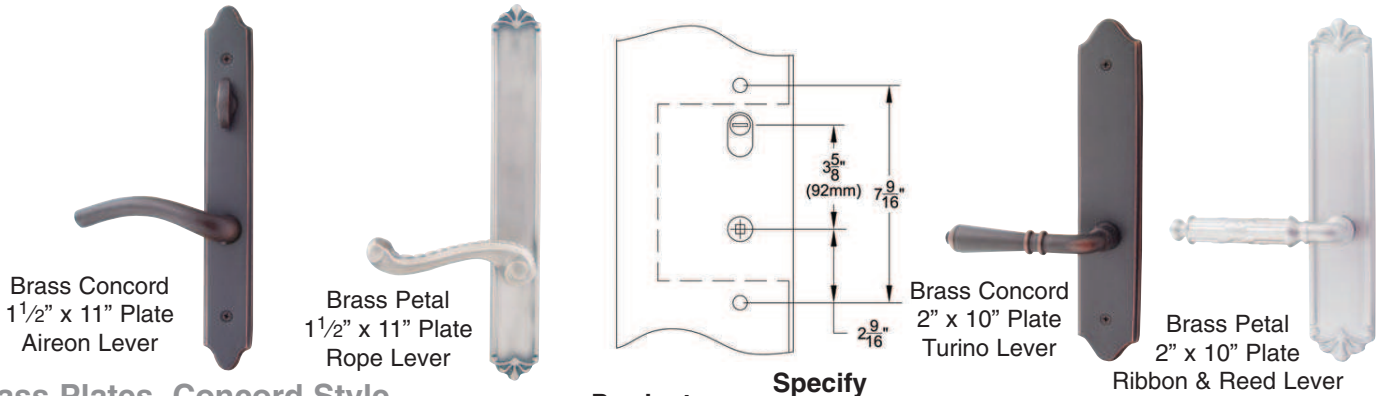
Handing required.
Key codes may be specified.
Sets fit standard door thickness of 1 3/4", specify if different.

Brass Trim and Cylinders for Multi Point Locks

Swinging Patio Door Hardware - Set includes Plates, Handles and Cylinders (where applicable)

Door Configuration #2

G-U®, Eagle®, BiltBest®, Hurd® (Energy Save Line)



Brass Plates, Concord Style

Sets with 1 1/2" x 11" Plates

- Keyed with American Cylinder _____ **1271**
- (Schlage® keyway, rekeyable)
- Non-Keyed, Passage _____ **1272**
- Non-Keyed, American Style _____ **1273**
- Thumbturn Inside
- Non-Keyed, Fixed Handle Outside, _____ **1274**
- Operating Handle Inside
- Dummy Pair _____ **1275**

Sets with 2" x 10" Plates

- Keyed with American Cylinder _____ **1281**
- (Schlage® keyway, rekeyable)
- Non-Keyed, Passage _____ **1282**
- Non-Keyed, American Style _____ **1283**
- Thumbturn Inside
- Non-Keyed, Fixed Handle Outside, _____ **1284**
- Operating Handle Inside
- Dummy Pair _____ **1285**

Brass Plates, Petal Style

Sets with 1 1/2" x 11" Plates

- Keyed with American Cylinder _____ **1291**
- (Schlage® keyway, rekeyable)
- Non-Keyed, Passage _____ **1292**
- Non-Keyed, American Style _____ **1293**
- Thumbturn Inside
- Non-Keyed, Fixed Handle Outside, _____ **1294**
- Operating Handle Inside
- Dummy Pair _____ **1295**

Sets with 2" x 10" Plates

- Keyed with American Cylinder _____ **1201**
- (Schlage® keyway, rekeyable)
- Non-Keyed, Passage _____ **1202**
- Non-Keyed, American Style _____ **1203**
- Thumbturn Inside
- Non-Keyed, Fixed Handle Outside, _____ **1204**
- Operating Handle Inside
- Dummy Pair _____ **1205**

Product Code

Specify
Lever Style
And Handing

Finish

List Price

<p>Aireon Cortina Elan Brass Lafayette Milano Ribbon & Reed Rope Rustic Turino Santa Fe or Wembley Lever (LH/RH)</p>	<p>French Antique (US7) Oil Rubbed Bronze (US10B) Satin Nickel (US15) Pewter (US15A) or PVD-Lifetime</p>	<p>\$138⁵⁰</p>	

Handing required.
Key codes may be specified.
Sets fit standard door thickness of 1 3/4", specify if different.

Specification Sheet - Door Configuration #2

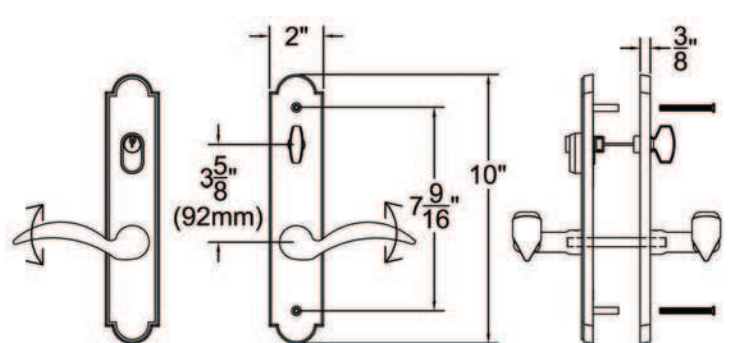
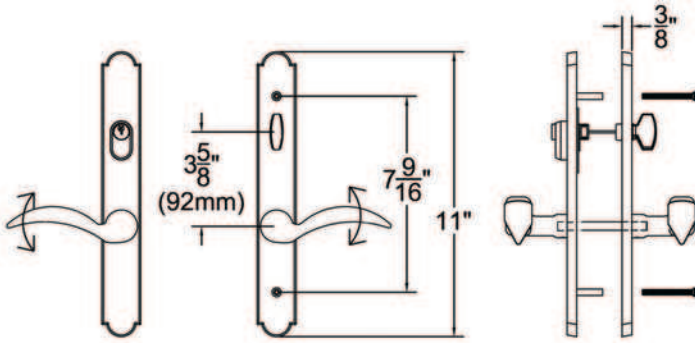
Trim and Cylinders for Multi Point Locks

Swinging Patio Door Hardware - Set includes Plates, Handles and Cylinders (where applicable)
G-U®, Eagle®, BiltBest®, Hurd® (Energy Save Line)

Keyed with American Cylinder (for Active Door, Schlage Keyway, Rekeyable)

1½" x 11" Plates, Product Codes 1211, 1231, 1251, 1271, 1291

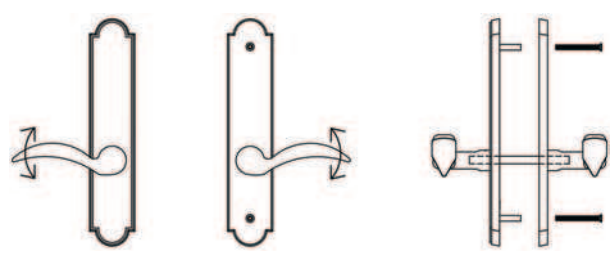
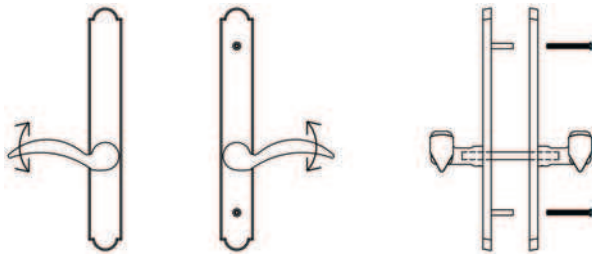
2" x 10" Plates, Product Codes 1221, 1241, 1261, 1281, 1201



Non-Keyed, Passage (for Semi-Active Door)

1½" x 11" Plates, Product Codes 1212, 1232, 1252, 1272, 1292

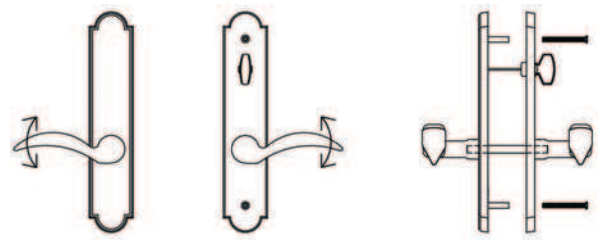
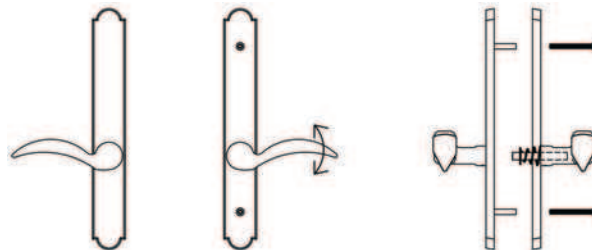
2" x 10" Plates, Product Codes 1222, 1242, 1262, 1282, 1202



Non-Keyed, American Style Thumbturn Inside (for Active Door)

1½" x 11" Plates, Product Codes 1213, 1233, 1253, 1273, 1293

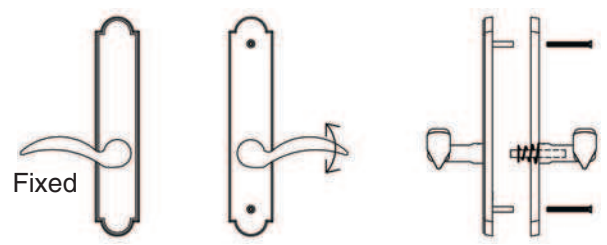
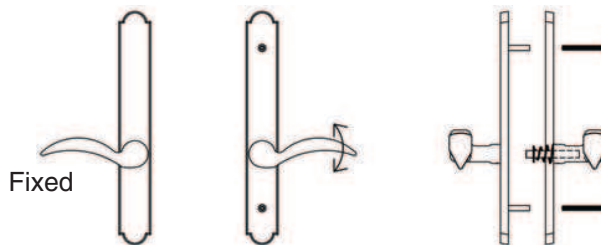
2" x 10" Plates, Product Codes 1223, 1243, 1263, 1283, 1203



Non-Keyed, Fixed Handle Outside, Operating Handle Inside (for Semi-Active Door)

1½" x 11" Plates, Product Codes 1214, 1234, 1254, 1274, 1294

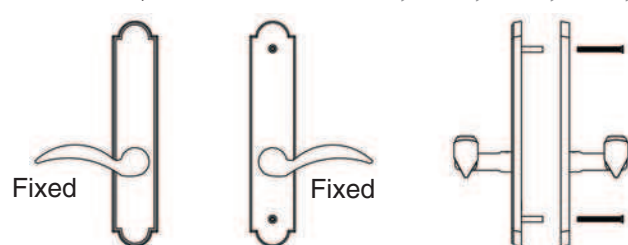
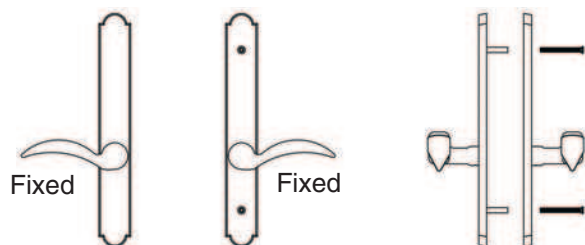
2" x 10" Plates, Product Codes 1224, 1244, 1264, 1284, 1204



Dummy Pair (for Non-Active Door)

1½" x 11" Plates, Product Codes 1215, 1235, 1255, 1275, 1295

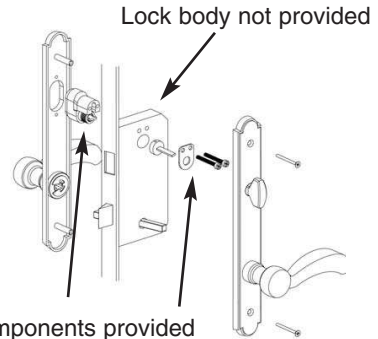
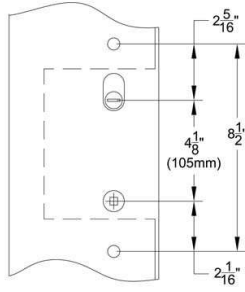
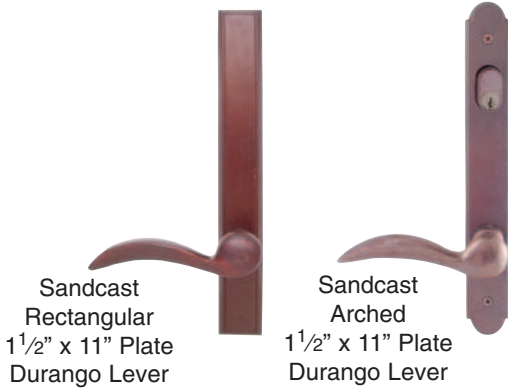
2" x 10" Plates, Product Codes 1225, 1245, 1265, 1285, 1205



Sandcast Bronze Trim and Cylinders for Multi Point Locks

Swinging Patio Door Hardware - Set includes Plates, Handles and Cylinders (where applicable)

Door Configuration #3



Sandcast Bronze Arched Plates

Sets with 1 1/2" x 11" Plates

- Keyed with American Cylinder _____ **1311**
- (Schlage® keyway, rekeyable)
- Non-Keyed, Passage _____ **1312**
- Non-Keyed, American Style _____ **1313**
- Thumbturn Inside
- Non-Keyed, Fixed Handle Outside, _____ **1314**
- Operating Handle Inside
- Dummy Pair _____ **1315**

Sets with 2" x 10" Plates

- Keyed with American Cylinder _____ **1321**
- (Schlage® keyway, rekeyable)
- Non-Keyed, Passage _____ **1322**
- Non-Keyed, American Style _____ **1323**
- Thumbturn Inside
- Non-Keyed, Fixed Handle Outside, _____ **1324**
- Operating Handle Inside
- Dummy Pair _____ **1325**

Sandcast Bronze Rectangular Plates

Sets with 1 1/2" x 11" Plates

- Keyed with American Cylinder _____ **1351**
- (Schlage® keyway, rekeyable)
- Non-Keyed, Passage _____ **1352**
- Non-Keyed, American Style _____ **1353**
- Thumbturn Inside
- Non-Keyed, Fixed Handle Outside, _____ **1354**
- Operating Handle Inside
- Dummy Pair _____ **1355**

Sets with 2" x 10" Plates

- Keyed with American Cylinder _____ **1361**
- (Schlage® keyway, rekeyable)
- Non-Keyed, Passage _____ **1362**
- Non-Keyed, American Style _____ **1363**
- Thumbturn Inside
- Non-Keyed, Fixed Handle Outside, _____ **1364**
- Operating Handle Inside
- Dummy Pair _____ **1365**

Product Code

Specify Lever Style And Handing

Finish

List Price

Durango Cody or Teton Lever (LH/RH)

Deep Burgundy (DB)
Medium Bronze (MB)
Silver Patina (SP)
Flat Black (FB)

\$138⁶⁰

Handing required.
Key codes may be specified.
Sets fit standard door thickness of 1 3/4", specify if different.

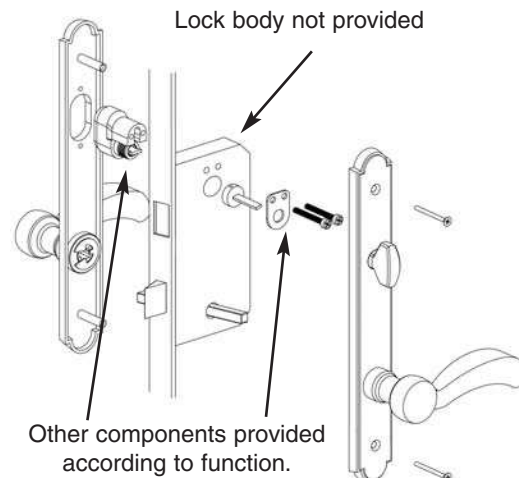
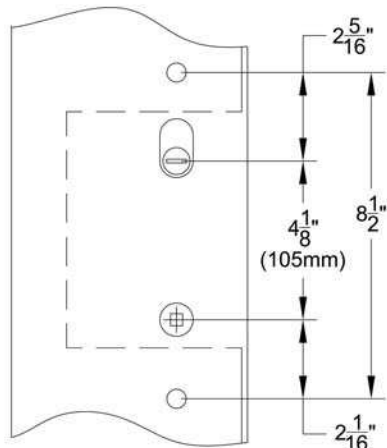
Lost Wax Cast Bronze Trim and Cylinders for Multi Point Locks

Swinging Patio Door Hardware - Set includes Plates, Handles and Cylinders (where applicable)

Door Configuration #3



Tuscany
2" x 10" Plate
Napoli Lever



Lost Wax Cast Bronze Plates

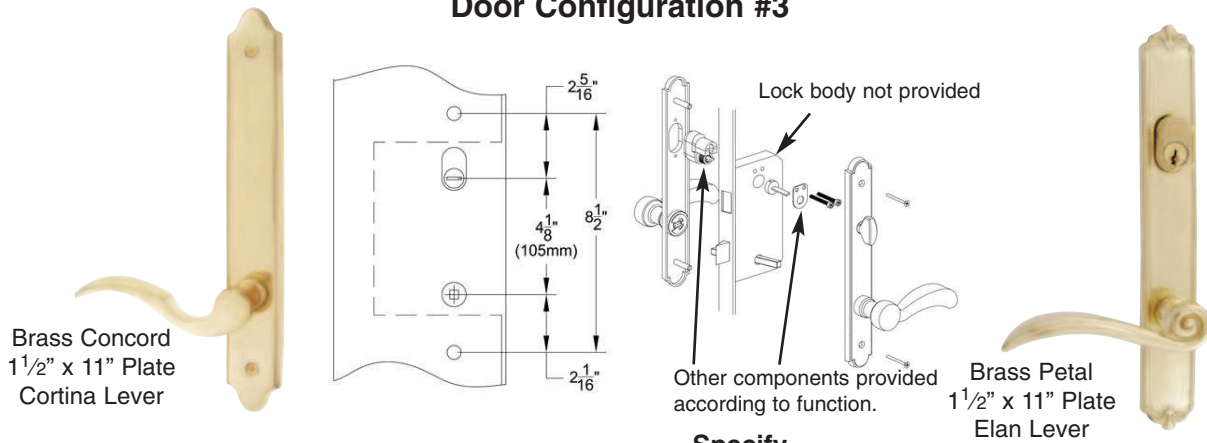
	Product Code	Specify Lever Style And Handing	Finish	List Price
Sets with 1 1/2" x 11" Plates				
• Keyed with American Cylinder (Schlage® keyway, rekeyable)	1331	Medici Napoli Octagon Padua or Art Nouveau Lever (LH/RH)	Deep Burgundy (DB) Medium Bronze (MB) Silver Patina (SP) Flat Black (FB)	\$138⁶⁰
• Non-Keyed, Passage	1332			
• Non-Keyed, American Style Thumbturn Inside	1333			
• Non-Keyed, Fixed Handle Outside, Operating Handle Inside	1334			
• Dummy Pair	1335			
Sets with 2" x 10" Plates				
• Keyed with American Cylinder (Schlage® keyway, rekeyable)	1341	Medici Napoli Octagon Padua or Art Nouveau Lever (LH/RH)	Deep Burgundy (DB) Medium Bronze (MB) Silver Patina (SP) Flat Black (FB)	\$138⁶⁰
• Non-Keyed, Passage	1342			
• Non-Keyed, American Style Thumbturn Inside	1343			
• Non-Keyed, Fixed Handle Outside, Operating Handle Inside	1344			
• Dummy Pair	1345			

Handing required.
Key codes may be specified.
Sets fit standard door thickness of 1 3/4", specify if different.

Brass Trim and Cylinders for Multi Point Locks

Swinging Patio Door Hardware - Set includes Plates, Handles and Cylinders (where applicable)

Door Configuration #3



Brass Plates, Concord Style

Sets with 1 1/2" x 11" Plates

- Keyed with American Cylinder _____ **1371**
- (Schlage® keyway, rekeyable)
- Non-Keyed, Passage _____ **1372**
- Non-Keyed, American Style _____ **1373**
- Thumbturn Inside
- Non-Keyed, Fixed Handle Outside, _____ **1374**
- Operating Handle Inside
- Dummy Pair _____ **1375**

Sets with 2" x 10" Plates

- Keyed with American Cylinder _____ **1381**
- (Schlage® keyway, rekeyable)
- Non-Keyed, Passage _____ **1382**
- Non-Keyed, American Style _____ **1383**
- Thumbturn Inside
- Non-Keyed, Fixed Handle Outside, _____ **1384**
- Operating Handle Inside
- Dummy Pair _____ **1385**

Brass Plates, Petal Style

Sets with 1 1/2" x 11" Plates

- Keyed with American Cylinder _____ **1391**
- (Schlage® keyway, rekeyable)
- Non-Keyed, Passage _____ **1392**
- Non-Keyed, American Style _____ **1393**
- Thumbturn Inside
- Non-Keyed, Fixed Handle Outside, _____ **1394**
- Operating Handle Inside
- Dummy Pair _____ **1395**

Sets with 2" x 10" Plates

- Keyed with American Cylinder _____ **1301**
- (Schlage® keyway, rekeyable)
- Non-Keyed, Passage _____ **1302**
- Non-Keyed, American Style _____ **1303**
- Thumbturn Inside
- Non-Keyed, Fixed Handle Outside, _____ **1304**
- Operating Handle Inside
- Dummy Pair _____ **1305**

Specify Lever Style And Handing	Finish	List Price
Aireon Cortina Elan Brass Lafayette Milano Ribbon & Reed RopeRustic Turino Santa Fe or Wembley Lever (LH/RH)	French Antique (US7) Oil Rubbed Bronze (US10B) Satin Nickel (US15) Pewter (US15A) or PVD-Lifetime	\$138⁶⁰

Handing required.
Key codes may be specified.
Sets fit standard door thickness of 1 3/4", specify if different.

Specification Sheet - Door Configuration #3

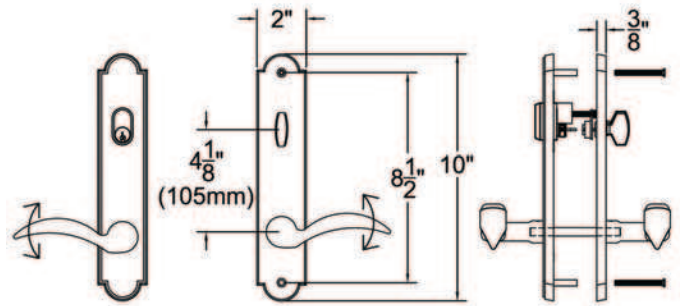
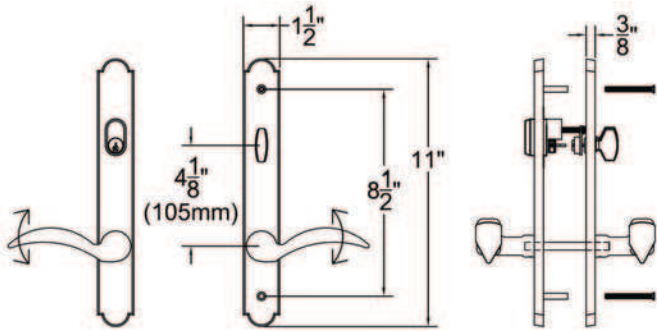
Trim and Cylinders for Multi Point Locks

Swinging Patio Door Hardware - Set includes Plates, Handles and Cylinders (where applicable)

Keyed with American Cylinder (for Active Door, Schlage Keyway, Rekeyable)

1 1/2" x 11" Plates, Product Codes 1311, 1331, 1351, 1371, 1391

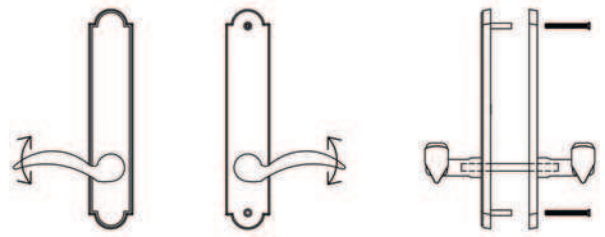
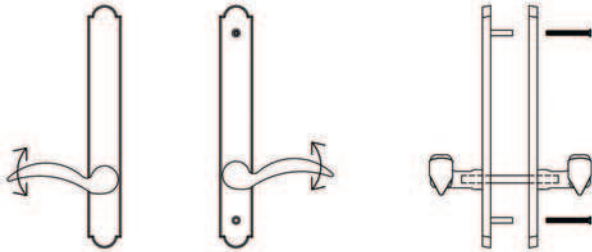
2" x 10" Plates, Product Codes 1321, 1341, 1361, 1381, 1301



Non-Keyed, Passage (for Semi-Active Door)

1 1/2" x 11" Plates, Product Codes 1312, 1332, 1352, 1372, 1392

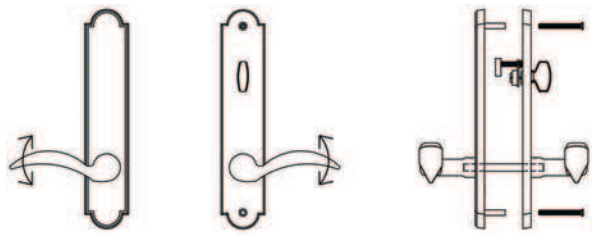
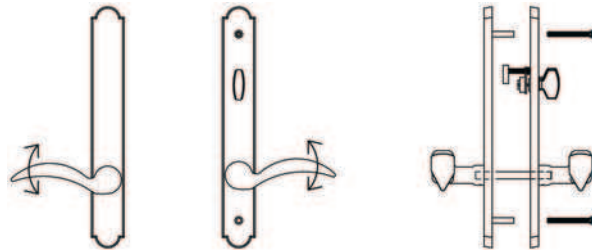
2" x 10" Plates, Product Codes 1322, 1342, 1362, 1382, 1302



Non-Keyed, American Style Thumbturn Inside (for Active Door)

1 1/2" x 11" Plates, Product Codes 1313, 1333, 1353, 1373, 1393

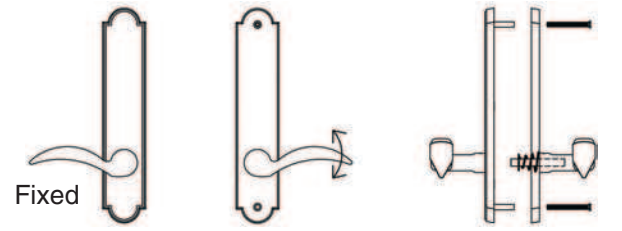
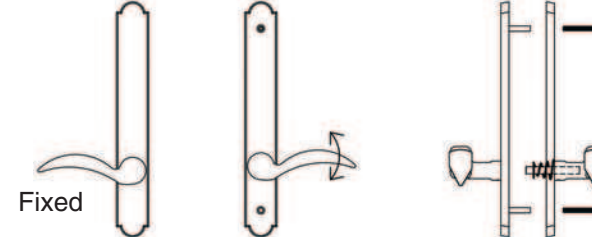
2" x 10" Plates, Product Codes 1323, 1343, 1363, 1383, 1303



Non-Keyed, Fixed Handle Outside, Operating Handle Inside (for Semi-Active Door)

1 1/2" x 11" Plates, Product Codes 1314, 1334, 1354, 1374, 1394

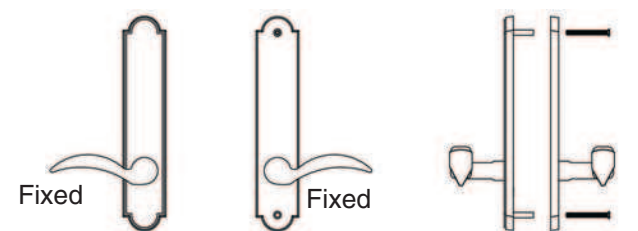
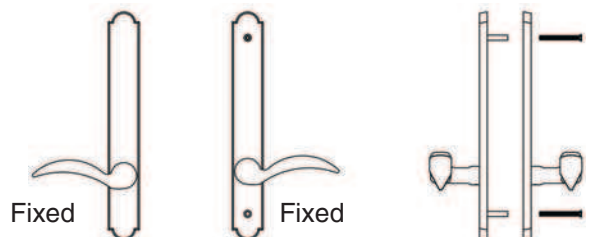
2" x 10" Plates, Product Codes 1324, 1344, 1364, 1384, 1304



Dummy Pair (for Non-Active Door)

1 1/2" x 11" Plates, Product Codes 1315, 1335, 1355, 1375, 1395

2" x 10" Plates, Product Codes 1325, 1345, 1365, 1385, 1305

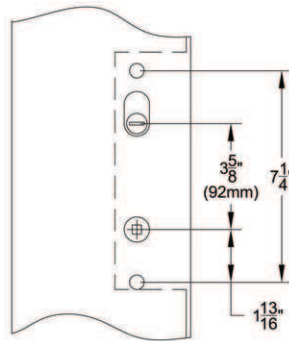
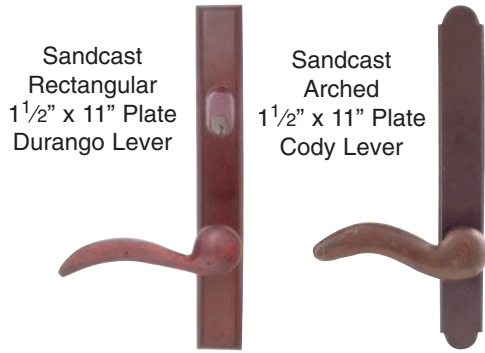


Sandcast Bronze Trim and Cylinders for Multi Point Locks

Swinging Patio Door Hardware - Set includes Plates, Handles and Cylinders (where applicable)

Door Configuration #4

Ashland®, Caradco®, Milgard®, PGT®, Marvin® Jeldwen® Custom Collection (formerly Pozzi®)(2"x10" plates only)



See Configuration #1 for Marvin Integrity® Doors



Sandcast Bronze Arched Plates

Sets with 1 1/2" x 11" Plates

- Keyed with American Cylinder _____ **1411**
- (Schlage® keyway, rekeyable)
- Non-Keyed, Passage _____ **1412**
- Non-Keyed, American Style _____ **1413**
- Thumbturn Inside
- Non-Keyed, Fixed Handle Outside, _____ **1414**
- Operating Handle Inside
- Dummy Pair _____ **1415**

Sets with 2" x 10" Plates

- Keyed with American Cylinder _____ **1421**
- (Schlage® keyway, rekeyable)
- Non-Keyed, Passage _____ **1422**
- Non-Keyed, American Style _____ **1423**
- Thumbturn Inside
- Non-Keyed, Fixed Handle Outside, _____ **1424**
- Operating Handle Inside
- Dummy Pair _____ **1425**

Sandcast Bronze Rectangular Plates

Sets with 1 1/2" x 11" Plates

- Keyed with American Cylinder _____ **1451**
- (Schlage® keyway, rekeyable)
- Non-Keyed, Passage _____ **1452**
- Non-Keyed, American Style _____ **1453**
- Thumbturn Inside
- Non-Keyed, Fixed Handle Outside, _____ **1454**
- Operating Handle Inside
- Dummy Pair _____ **1455**

Sets with 2" x 10" Plates

- Keyed with American Cylinder _____ **1461**
- (Schlage® keyway, rekeyable)
- Non-Keyed, Passage _____ **1462**
- Non-Keyed, American Style _____ **1463**
- Thumbturn Inside
- Non-Keyed, Fixed Handle Outside, _____ **1464**
- Operating Handle Inside
- Dummy Pair _____ **1465**

Product Code

Specify Lever Style And Handing

Finish

List Price

**Durango
Cody
or
Teton
Lever

(LH/RH)**

Deep Burgundy (DB)
Medium Bronze (MB)
Silver Patina (SP)
Flat Black (FB)

\$138⁶⁰

**Handing required.
Key codes may be specified.
Sets fit standard door thickness of 1 3/4", specify if different.**

Lost Wax Cast Bronze Trim and Cylinders for Multi Point Locks

Swinging Patio Door Hardware - Set includes Plates, Handles and Cylinders (where applicable)

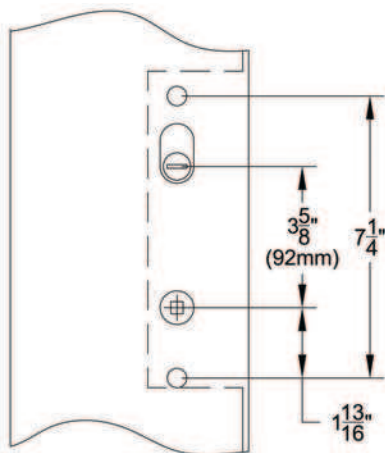
Door Configuration #4

Ashland®, Caradco®, Milgard®, PGT®, Marvin®, Jeldwen® Custom Collection (formerly Pozzi®)(2"x10" plates only)

(2"x10" plates only) See Configuration #1 for Marvin Integrity® Doors



Tuscany
1 1/2" x 11" Plate
Napoli Lever



Tuscany
2" x 10" Plate
Napoli Lever

Lost Wax Cast Bronze Plates

	Product Code	Specify Lever Style And Handing	Finish	List Price
Sets with 1 1/2" x 11" Plates				
• Keyed with American Cylinder (Schlage® keyway, rekeyable)	1431	Medici Napoli Octagon Padua or Art Nouveau Lever (LH/RH)	Deep Burgundy (DB) Medium Bronze(MB) Silver Patina (SP) Flat Black (FB)	\$138⁶⁰
• Non-Keyed, Passage	1432			
• Non-Keyed, American Style Thumbturn Inside	1433			
• Non-Keyed, Fixed Handle Outside, Operating Handle Inside	1434			
• Dummy Pair	1435			
Sets with 2" x 10" Plates				
• Keyed with American Cylinder (Schlage® keyway, rekeyable)	1441			
• Non-Keyed, Passage	1442			
• Non-Keyed, American Style Thumbturn Inside	1443			
• Non-Keyed, Fixed Handle Outside, Operating Handle Inside	1444			
• Dummy Pair	1445			

**Handing required.
Key codes may be specified.
Sets fit standard door thickness of 1 3/4", specify if different.**

Brass Trim and Cylinders for Multi Point Locks

Swinging Patio Door Hardware - Set includes Plates, Handles and Cylinders (where applicable)

Door Configuration #4

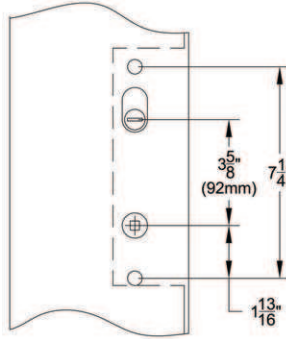
Ashland®, Caradco®, Milgard®, PGT®, Marvin®, Jeldwen® Custom Collection (formerly Pozzi®)(2"x10" plates only)



Brass Concord
1 1/2" x 11" Plate
Aireon Lever



Brass Petal
1 1/2" x 11" Plate
Rope Lever



See Configuration #1 for Marvin Integrity® Doors



Brass Concord
2" x 10" Plate
Turino Lever



Brass Petal
2" x 10" Plate
Ribbon & Reed Lever

Brass Plates, Concord Style

Sets with 1 1/2" x 11" Plates

- Keyed with American Cylinder _____ 1471
(Schlage® keyway, rekeyable)
- Non-Keyed, Passage _____ 1472
- Non-Keyed, American Style _____ 1473
Thumbturn Inside
- Non-Keyed, Fixed Handle Outside, _____ 1474
Operating Handle Inside
- Dummy Pair _____ 1475

Sets with 2" x 10" Plates

- Keyed with American Cylinder _____ 1481
(Schlage® keyway, rekeyable)
- Non-Keyed, Passage _____ 1482
- Non-Keyed, American Style _____ 1483
Thumbturn Inside
- Non-Keyed, Fixed Handle Outside, _____ 1484
Operating Handle Inside
- Dummy Pair _____ 1485

Brass Plates, Petal Style

Sets with 1 1/2" x 11" Plates

- Keyed with American Cylinder _____ 1491
(Schlage® keyway, rekeyable)
- Non-Keyed, Passage _____ 1492
- Non-Keyed, American Style _____ 1493
Thumbturn Inside
- Non-Keyed, Fixed Handle Outside, _____ 1494
Operating Handle Inside
- Dummy Pair _____ 1495

Sets with 2" x 10" Plates

- Keyed with American Cylinder _____ 1401
(Schlage® keyway, rekeyable)
- Non-Keyed, Passage _____ 1402
- Non-Keyed, American Style _____ 1403
Thumbturn Inside
- Non-Keyed, Fixed Handle Outside, _____ 1404
Operating Handle Inside
- Dummy Pair _____ 1405

Product Code	Specify Lever Style And Handing	Finish	List Price
--------------	---------------------------------	--------	------------

1471	Aireon Cortina Elan Brass Lafayette Milano Ribbon & Reed Rope Rustic Turino Santa Fe or Wembley Lever (LH/RH)	French Antique (US7) Oil Rubbed Bronze (US10B) Satin Nickel (US15) Pewter (US15A) or PVD-Lifetime	\$138⁶⁰
1472			
1473			
1474			
1475			
1481			
1482			
1483			
1484			
1485			
1491			
1492			
1493			
1494			
1495			
1401			
1402			
1403			
1404			
1405			

Handing required.
Key codes may be specified.
Sets fit standard door thickness of 1 3/4", specify if different.

Specification Sheet - Door Configuration #4

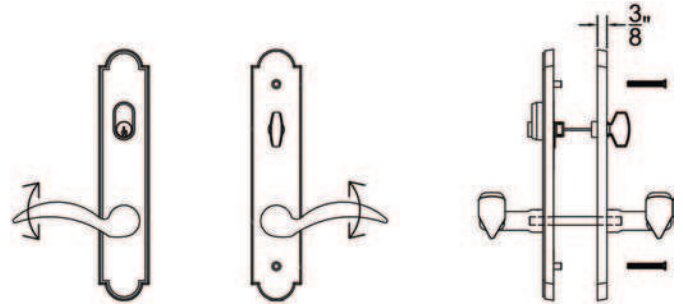
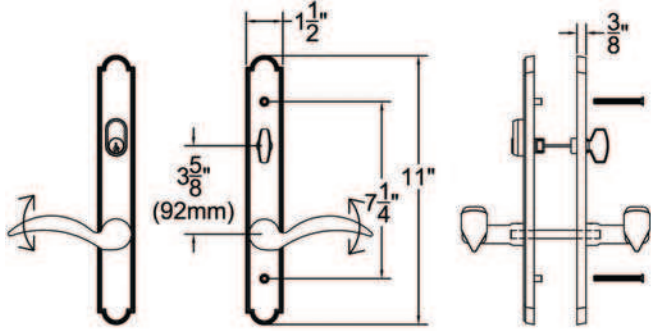
Trim and Cylinders for Multi Point Locks

Swinging Patio Door Hardware - Set includes Plates, Handles and Cylinders (where applicable)
 Ashland®, Caradco®, Milgard®, Marvin®, PGT®, Jeldwen® Custom Collection (formerly Pozzi®)

Keyed with American Cylinder (for Active Door, Schlage Keyway, Rekeyable)

1 1/2" x 11" Plates, Product Codes 1411, 1431, 1451, 1471, 1491

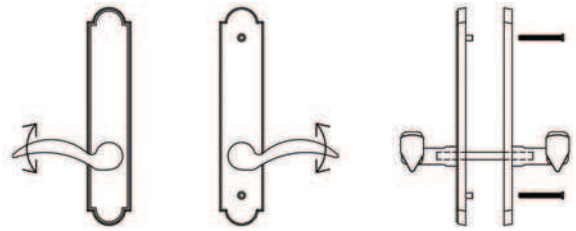
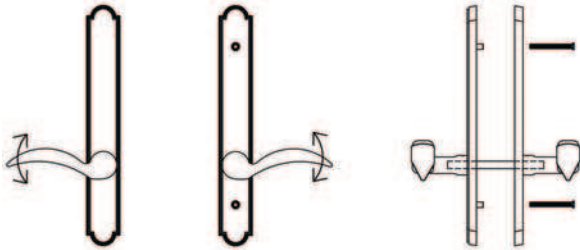
2" x 10" Plates, Product Codes 1421, 1441, 1461, 1481, 1401



Non-Keyed, Passage (for Semi-Active Door)

1 1/2" x 11" Plates, Product Codes 1412, 1432, 1452, 1472, 1492

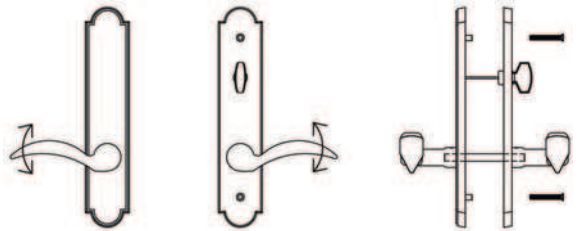
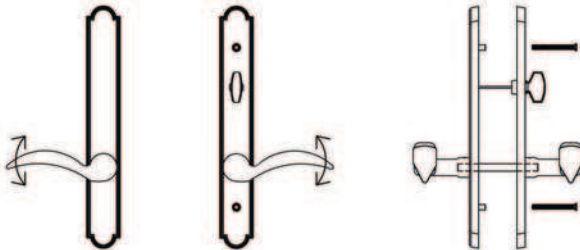
2" x 10" Plates, Product Codes 1422, 1442, 1462, 1482, 1402



Non-Keyed, American Style Thumbturn Inside (for Active Door)

1 1/2" x 11" Plates, Product Codes 1413, 1433, 1453, 1473, 1493

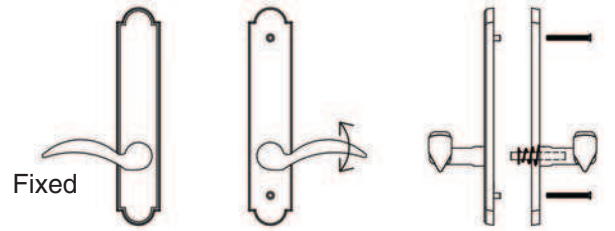
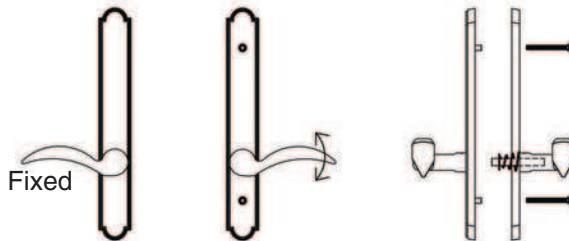
2" x 10" Plates, Product Codes 1423, 1443, 1463, 1483, 1403



Non-Keyed, Fixed Handle Outside, Operating Handle Inside (for Semi-Active Door)

1 1/2" x 11" Plates, Product Codes 1414, 1434, 1454, 1474, 1494

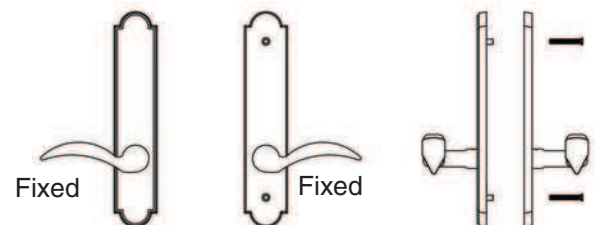
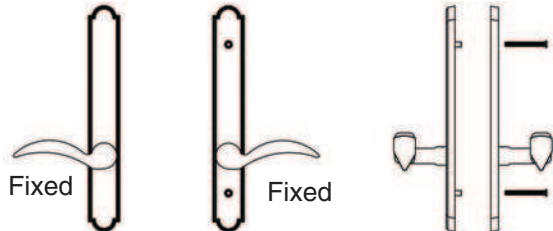
2" x 10" Plates, Product Codes 1424, 1444, 1464, 1484, 1404



Dummy Pair (for Non-Active Door)

1 1/2" x 11" Plates, Product Codes 1415, 1435, 1455, 1475, 1495

2" x 10" Plates, Product Codes 1425, 1445, 1465, 1485, 1405

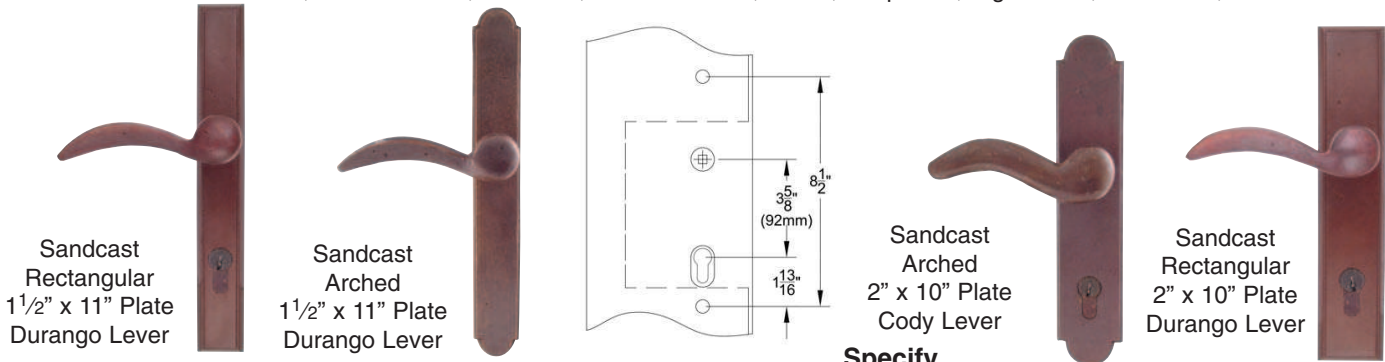


Sandcast Bronze Trim and Cylinders for Multi Point Locks

Swinging Patio Door Hardware - Set includes Plates, Handles and Cylinders (where applicable)

Door Configuration #5

Hoppe®, Hurd®, JELD-WEN®, Kolbe & Kolbe®, Lincoln®, Loewen®, Peachtree®, Premium Collection (formerly Norco®), Semco®, Vetter®, Weathershield®, Therma-Tru®, Willmar®, Sierra Pacific®, KfV®, Simpson®, Signature®, Crestline®, Windsor®



Sandcast Bronze Arched Plates

Sets with 1 1/2" x 11" Plates

- Keyed with Euro Profile Cylinder (Schlage® keyway, rekeyable) — **1511**
- Non-Keyed, Passage — **1512**
- Non-Keyed, Euro Profile Style Thumbturn Inside — **1513**
- Non-Keyed, Fixed Handle Outside, Operating Handle Inside — **1514**
- Dummy Pair — **1515**

Sets with 2" x 10" Plates

- Keyed with Euro Profile Cylinder (Schlage® keyway, rekeyable) — **1521**
- Non-Keyed, Passage — **1522**
- Non-Keyed, Euro Profile Style Thumbturn Inside — **1523**
- Non-Keyed, Fixed Handle Outside, Operating Handle Inside — **1524**
- Dummy Pair — **1525**

Sandcast Bronze Rectangular Plates

Sets with 1 1/2" x 11" Plates

- Keyed with Euro Profile Cylinder (Schlage® keyway, rekeyable) — **1551**
- Non-Keyed, Passage — **1552**
- Non-Keyed, Euro Profile Style Thumbturn Inside — **1553**
- Non-Keyed, Fixed Handle Outside, Operating Handle Inside — **1554**
- Dummy Pair — **1555**

Sets with 2" x 10" Plates

- Keyed with Euro Profile Cylinder (Schlage® keyway, rekeyable) — **1561**
- Non-Keyed, Passage — **1562**
- Non-Keyed, Euro Profile Style Thumbturn Inside — **1563**
- Non-Keyed, Fixed Handle Outside, Operating Handle Inside — **1564**
- Dummy Pair — **1565**

Product Code

Specify Lever Style And Handing

Finish

List Price

Durango Cody or Teton Lever (LH/RH)

Deep Burgundy (DB)
Medium Bronze (MB)
Silver Patina (SP)
Flat Black (FB)

\$138⁶⁰

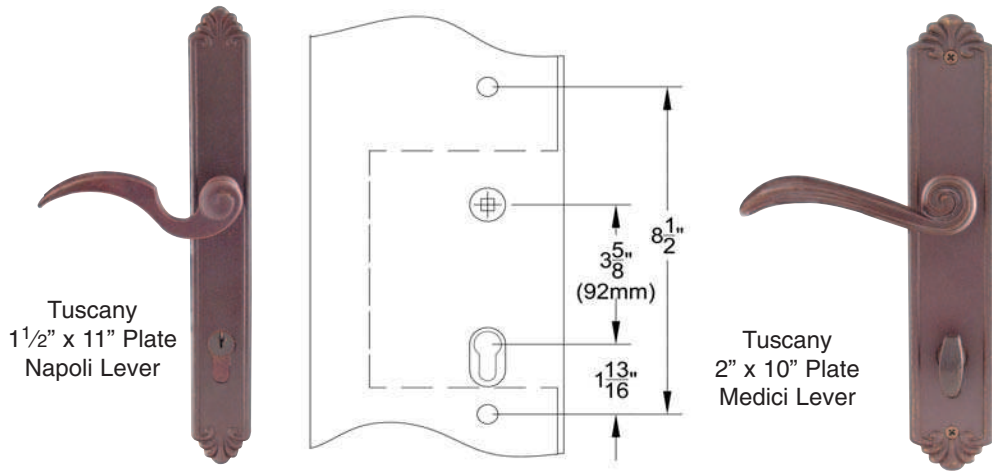
Handing required.
Key codes may be specified.
Sets fit standard door thickness of 1 3/4", specify if different.

Lost Wax Cast Bronze Trim and Cylinders for Multi Point Locks

Swinging Patio Door Hardware - Set includes Plates, Handles and Cylinders (where applicable)

Door Configuration #5

Hoppe®, Hurd®, JELD-WEN®, Kolbe & Kolbe®, Lincoln®, Loewen®, Peachtree®, Premium Collection (formerly Norco®), Semco®, Vetter®, Weathershield®, Therma-Tru®, Willmar®, Sierra Pacific®, KfV®, Simpson®, Signature®, Crestline®, Windsor®



Lost Wax Cast Bronze Plates

	Product Code	Specify Lever Style And Handing	Finish	List Price
Sets with 1 1/2" x 11" Plates				
• Keyed with Euro Profile Cylinder (Schlage® keyway, rekeyable)	1531	Medici Napoli Octagon Padua or Art Nouveau Lever (LH/RH)	Deep Burgundy (DB) Medium Bronze (MB) Silver Patina (SP) Flat Black (FB)	\$138 ⁵⁰
• Non-Keyed, Passage	1532			
• Non-Keyed, Euro Profile Style Thumbturn Inside	1533			
• Non-Keyed, Fixed Handle Outside, Operating Handle Inside	1534			
• Dummy Pair	1535			
Sets with 2" x 10" Plates				
• Keyed with Euro Profile Cylinder (Schlage® keyway, rekeyable)	1541	Medici Napoli Octagon Padua or Art Nouveau Lever (LH/RH)	Deep Burgundy (DB) Medium Bronze (MB) Silver Patina (SP) Flat Black (FB)	\$138 ⁵⁰
• Non-Keyed, Passage	1542			
• Non-Keyed, Euro Profile Style Thumbturn Inside	1543			
• Non-Keyed, Fixed Handle Outside, Operating Handle Inside	1544			
• Dummy Pair	1545			

Handing required.
Key codes may be specified.
Sets fit standard door thickness of 1 3/4", specify if different.

Brass Trim and Cylinders for Multi Point Locks

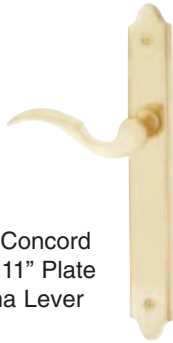
Swinging Patio Door Hardware - Set includes Plates, Handles and Cylinders (where applicable)

Door Configuration #5

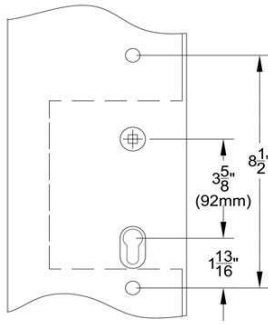
Hoppe®, Hurd®, JELD-WEN®, Kolbe & Kolbe®, Lincoln®, Loewen®, Peachtree®, Premium Collection (formerly Norco®), Semco®, Vetter®, Weathershield®, Therma-Tru®, Willmar®, Sierra Pacific®, KfV®, Simpson®, Signature®, Crestline®, Windsor®



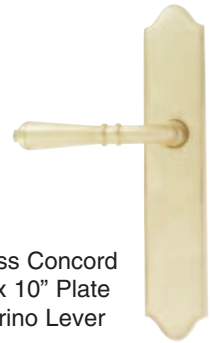
Brass Petal
1 1/2" x 11" Plate
Rope Lever



Brass Concord
1 1/2" x 11" Plate
Cortina Lever



Brass Petal
2" x 10" Plate
Aireon Lever



Brass Concord
2" x 10" Plate
Turino Lever

Brass Plates, Concord Style

Sets with 1 1/2" x 11" Plates

- Keyed with Euro Profile Cylinder _____ **1571**
- (Schlage® keyway, rekeyable)
- Non-Keyed, Passage _____ **1572**
- Non-Keyed, Euro Profile Style _____ **1573**
- Thumbturn Inside
- Non-Keyed, Fixed Handle Outside, _____ **1574**
- Operating Handle Inside
- Dummy Pair _____ **1575**

Sets with 2" x 10" Plates

- Keyed with Euro Profile Cylinder _____ **1581**
- (Schlage® keyway, rekeyable)
- Non-Keyed, Passage _____ **1582**
- Non-Keyed, Euro Profile Style _____ **1583**
- Thumbturn Inside
- Non-Keyed, Fixed Handle Outside, _____ **1584**
- Operating Handle Inside
- Dummy Pair _____ **1585**

Brass Plates, Petal Style

Sets with 1 1/2" x 11" Plates

- Keyed with Euro Profile Cylinder _____ **1591**
- (Schlage® keyway, rekeyable)
- Non-Keyed, Passage _____ **1592**
- Non-Keyed, Euro Profile Style _____ **1593**
- Thumbturn Inside
- Non-Keyed, Fixed Handle Outside, _____ **1594**
- Operating Handle Inside
- Dummy Pair _____ **1595**

Sets with 2" x 10" Plates

- Keyed with Euro Profile Cylinder _____ **1501**
- (Schlage® keyway, rekeyable)
- Non-Keyed, Passage _____ **1502**
- Non-Keyed, Euro Profile Style _____ **1503**
- Thumbturn Inside
- Non-Keyed, Fixed Handle Outside, _____ **1504**
- Operating Handle Inside
- Dummy Pair _____ **1505**

Specify Lever Style And Handing	Finish	List Price
Aireon Cortina Elan Brass Lafayette Milano Ribbon & Reed Rope Rustic Turino Santa Fe or Wembley Lever (LH/RH)	French Antique (US7) Oil Rubbed Bronze (US10B) Satin Nickel (US15) Pewter (US15A) or PVD-Lifetime	\$138⁶⁰

Handing required.
Key codes may be specified.
Sets fit standard door thickness of 1 3/4", specify if different.

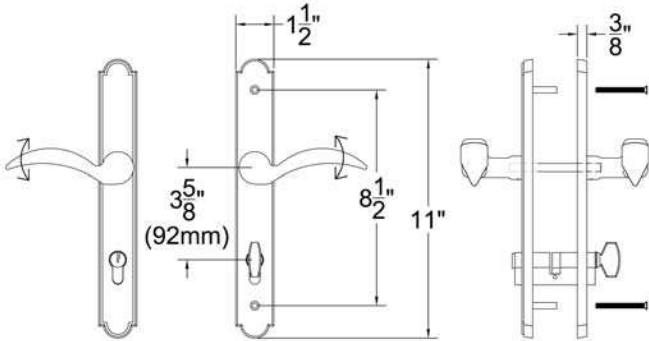
Specification Sheet - Door Configuration #5 Trim and Cylinders for Multi Point Locks

Swinging Patio Door Hardware - Set includes Plates, Handles and Cylinders (where applicable)

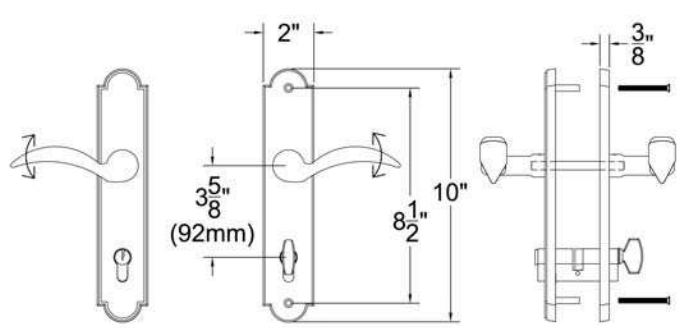
Hoppe®, Hurd®, JELD-WEN®, Kolbe & Kolbe®, Lincoln®, Loewen®, Peachtree®, Premium Collection (formerly Norco®), Semco®, Vetter®, Weathershield®, Therma-Tru®, Willmar®, Sierra Pacific®, KfV®, Simpson®, Signature®, Crestline®, Windsor®

Keyed with Euro Profile Cylinder (for Active Door, Schlage Keyway, Rekeyable)

1 1/2" x 11" Plates, Product Codes 1511, 1531, 1551, 1571, 1591

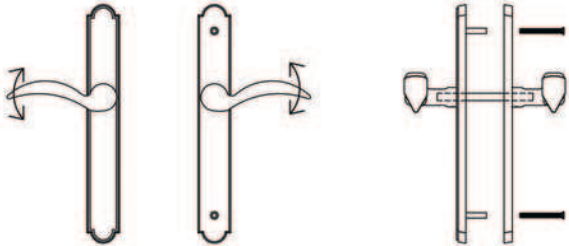


2" x 10" Plates, Product Codes 1521, 1541, 1561, 1581, 1501

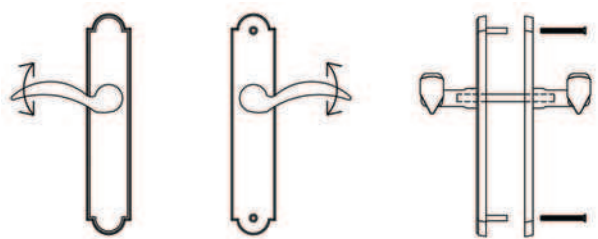


Non-Keyed, Passage (for Semi-Active Door)

1 1/2" x 11" Plates, Product Codes 1512, 1532, 1552, 1572, 1592

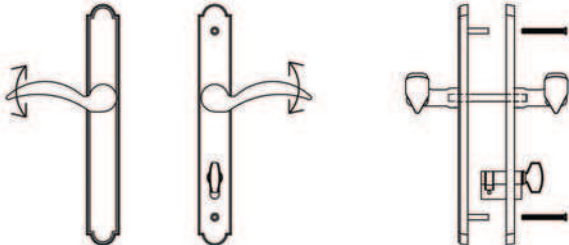


2" x 10" Plates, Product Codes 1522, 1542, 1562, 1582, 1502

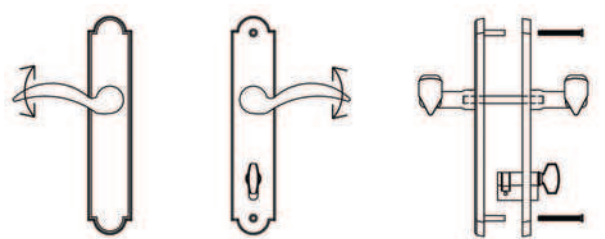


Non-Keyed, Euro Profile Style Thumbturn Inside (for Active Door)

1 1/2" x 11" Plates, Product Codes 1513, 1533, 1553, 1573, 1593

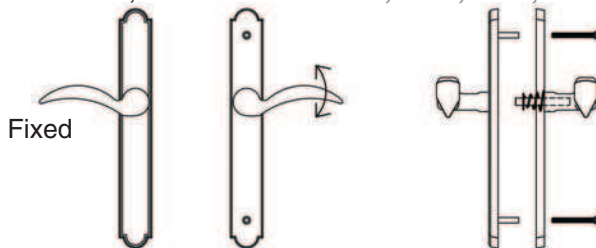


2" x 10" Plates, Product Codes 1523, 1543, 1563, 1583, 1503

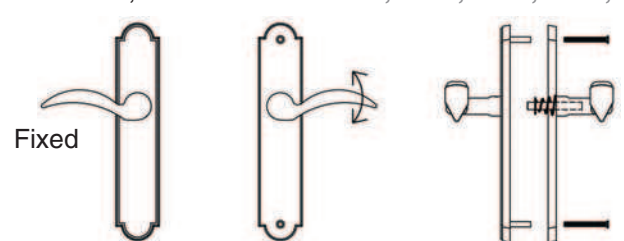


Non-Keyed, Fixed Handle Outside, Operating Handle Inside (for Semi-Active Door)

1 1/2" x 11" Plates, Product Codes 1514, 1534, 1554, 1574, 1594

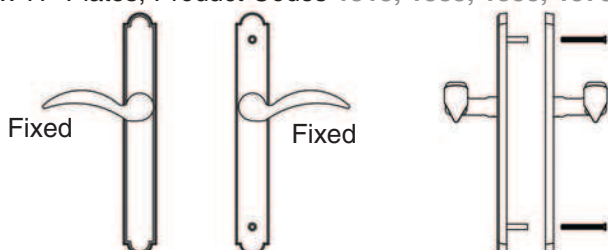


2" x 10" Plates, Product Codes 1524, 1544, 1564, 1584, 1504

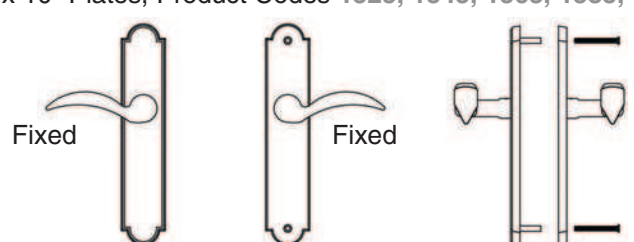


Dummy Pair (for Non-Active Door)

1 1/2" x 11" Plates, Product Codes 1515, 1535, 1555, 1575, 1595



2" x 10" Plates, Product Codes 1525, 1545, 1565, 1585, 1505

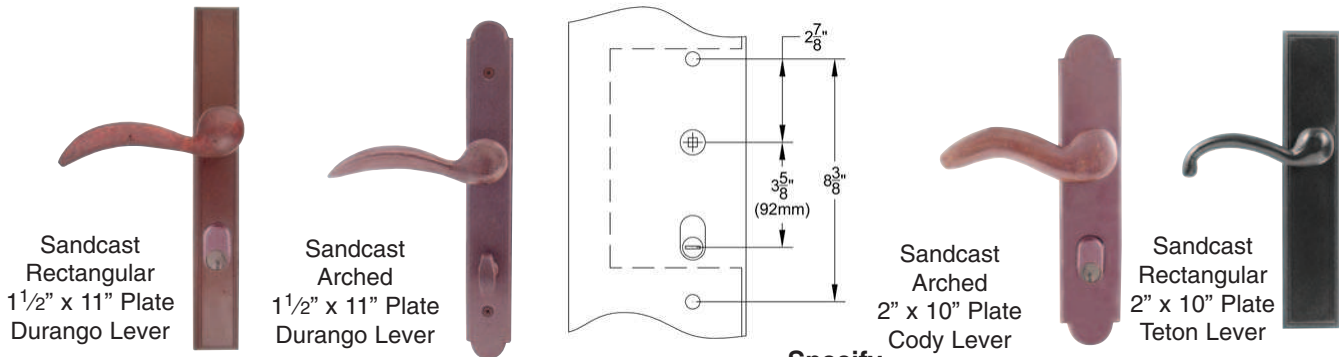


Sandcast Bronze Trim and Cylinders for Multi Point Locks

Swinging Patio Door Hardware - Set includes Plates, Handles and Cylinders (where applicable)

Door Configuration #6

Pella®



Sandcast Bronze Arched Plates

Sets with 1 1/2" x 11" Plates

- Keyed with American Cylinder (Schlage® keyway, rekeyable) _____
- Non-Keyed, Passage _____
- Non-Keyed, American Style Thumbturn Inside _____
- Non-Keyed, Fixed Handle Outside, Operating Handle Inside _____
- Dummy Pair _____

Sets with 2" x 10" Plates

- Keyed with American Cylinder (Schlage® keyway, rekeyable) _____
- Non-Keyed, Passage _____
- Non-Keyed, American Style Thumbturn Inside _____
- Non-Keyed, Fixed Handle Outside, Operating Handle Inside _____
- Dummy Pair _____

Sandcast Bronze Rectangular Plates

Sets with 1 1/2" x 11" Plates

- Keyed with American Cylinder (Schlage® keyway, rekeyable) _____
- Non-Keyed, Passage _____
- Non-Keyed, American Style Thumbturn Inside _____
- Non-Keyed, Fixed Handle Outside, Operating Handle Inside _____
- Dummy Pair _____

Sets with 2" x 10" Plates

- Keyed with American Cylinder (Schlage® keyway, rekeyable) _____
- Non-Keyed, Passage _____
- Non-Keyed, American Style Thumbturn Inside _____
- Non-Keyed, Fixed Handle Outside, Operating Handle Inside _____
- Dummy Pair _____

Product Code

Specify Lever Style And Handing

Finish

List Price

_____ 1611	Durango Cody or Teton Lever (LH/RH)	Deep Burgundy (DB) Medium Bronze(MB) Silver Patina (SP) Flat Black (FB)	\$138⁶⁰
_____ 1612			
_____ 1613			
_____ 1614			
_____ 1615			
_____ 1621			
_____ 1622			
_____ 1623			
_____ 1624			
_____ 1625			
_____ 1651			
_____ 1652			
_____ 1653			
_____ 1654			
_____ 1655			
_____ 1661			
_____ 1662			
_____ 1663			
_____ 1664			
_____ 1665			

Handing required.
Key codes may be specified.
Sets fit standard door thickness of 1 3/4", specify if different.

Lost Wax Cast Bronze Trim and Cylinders for Multi Point Locks

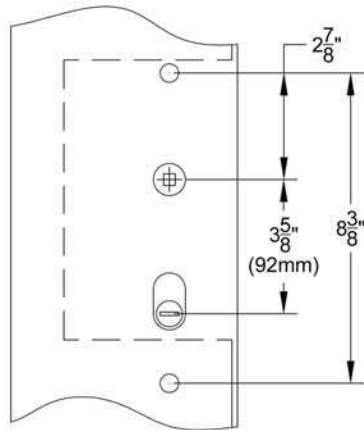
Swinging Patio Door Hardware - Set includes Plates, Handles and Cylinders (where applicable)

Door Configuration #6

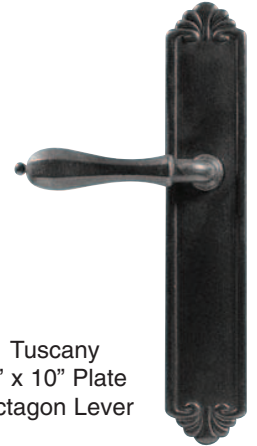
Pella®



Tuscan
1 1/2" x 11" Plate
Napoli Lever



Tuscan
2" x 10" Plate
Medici Lever



Tuscan
2" x 10" Plate
Octagon Lever

Lost Wax Cast Bronze Plates

	Product Code	Specify Lever Style And Handing	Finish	List Price
Sets with 1 1/2" x 11" Plates				
• Keyed with American Cylinder (Schlage® keyway, rekeyable)	1631	Medici Napoli Octagon Padua or Art Nouveau Lever (LH/RH)	Deep Burgundy (DB) Medium Bronze (MB) Silver Patina (SP) Flat Black (FB)	\$138 ⁶⁰
• Non-Keyed, Passage	1632			
• Non-Keyed, American Style Thumbturn Inside	1633			
• Non-Keyed, Fixed Handle Outside, Operating Handle Inside	1634			
• Dummy Pair	1635			
Sets with 2" x 10" Plates				
• Keyed with American Cylinder (Schlage® keyway, rekeyable)	1641			
• Non-Keyed, Passage	1642			
• Non-Keyed, American Style Thumbturn Inside	1643			
• Non-Keyed, Fixed Handle Outside, Operating Handle Inside	1644			
• Dummy Pair	1645			

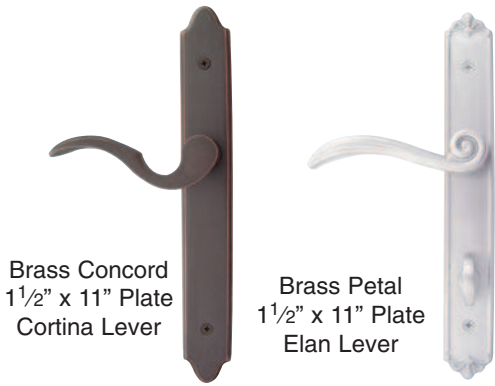
Handing required.
Key codes may be specified.
Sets fit standard door thickness of 1 3/4", specify if different.

Brass Trim and Cylinders for Multi Point Locks

Swinging Patio Door Hardware - Set includes Plates, Handles and Cylinders (where applicable)

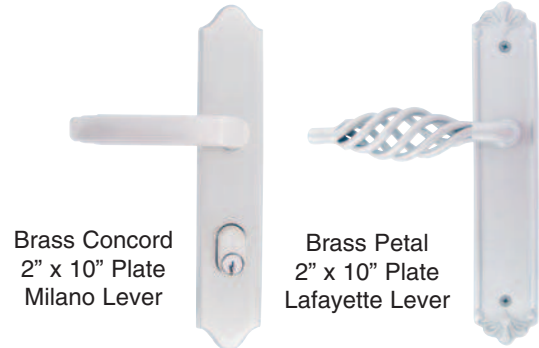
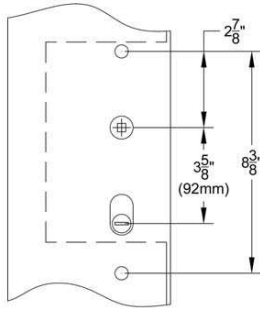
Door Configuration #6

Pella®



Brass Concord
1 1/2" x 11" Plate
Cortina Lever

Brass Petal
1 1/2" x 11" Plate
Elan Lever



Brass Concord
2" x 10" Plate
Milano Lever

Brass Petal
2" x 10" Plate
Lafayette Lever

Brass Plates, Concord Style

Sets with 1 1/2" x 11" Plates

- Keyed with American Cylinder (Schlage® keyway, rekeyable) — **1671**
- Non-Keyed, Passage — **1672**
- Non-Keyed, American Style Thumbturn Inside — **1673**
- Non-Keyed, Fixed Handle Outside, Operating Handle Inside — **1674**
- Dummy Pair — **1675**

Sets with 2" x 10" Plates

- Keyed with American Cylinder (Schlage® keyway, rekeyable) — **1681**
- Non-Keyed, Passage — **1682**
- Non-Keyed, American Style Thumbturn Inside — **1683**
- Non-Keyed, Fixed Handle Outside, Operating Handle Inside — **1684**
- Dummy Pair — **1685**

Brass Plates, Petal Style

Sets with 1 1/2" x 11" Plates

- Keyed with American Cylinder (Schlage® keyway, rekeyable) — **1691**
- Non-Keyed, Passage — **1692**
- Non-Keyed, American Style Thumbturn Inside — **1693**
- Non-Keyed, Fixed Handle Outside, Operating Handle Inside — **1694**
- Dummy Pair — **1695**

Sets with 2" x 10" Plates

- Keyed with American Cylinder (Schlage® keyway, rekeyable) — **1601**
- Non-Keyed, Passage — **1602**
- Non-Keyed, American Style Thumbturn Inside — **1603**
- Non-Keyed, Fixed Handle Outside, Operating Handle Inside — **1604**
- Dummy Pair — **1605**

Specify Lever Style And Handing	Finish	List Price
Aireon Cortina Elan Brass Lafayette Milano Ribbon & Reed Rope Rustic Turino Santa Fe or Wembley Lever (LH/RH)	French Antique (US7) Oil Rubbed Bronze (US10B) Satin Nickel (US15) Pewter (US15A) or PVD-Lifetime	\$138⁶⁰

Handing required.
Key codes may be specified.
Sets fit standard door thickness of 1 3/4", specify if different.

Specification Sheet - Door Configuration #6 Trim and Cylinders for Multi Point Locks

Swinging Patio Door Hardware - Set includes Plates, Handles and Cylinders (where applicable)

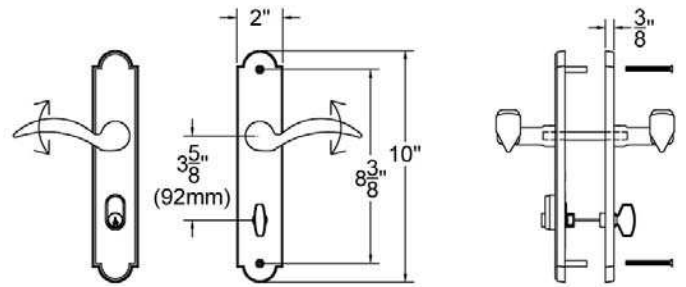
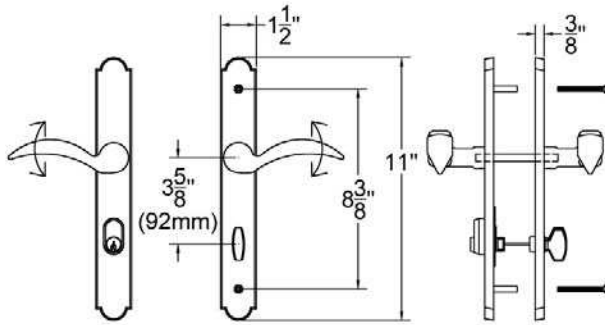
Door Configuration #6

Pella®

Keyed with American Cylinder (for Active Door, Schlage Keyway, Rekeyable)

1 1/2" x 11" Plates, Product Codes 1611, 1631, 1651, 1671, 1691

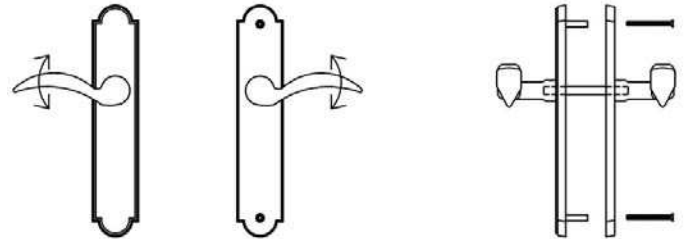
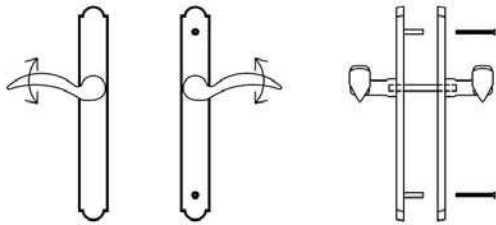
2" x 10" Plates, Product Codes 1621, 1641, 1661, 1681, 1601



Non-Keyed, Passage (for Semi-Active Door)

1 1/2" x 11" Plates, Product Codes 1612, 1632, 1652, 1672, 1692

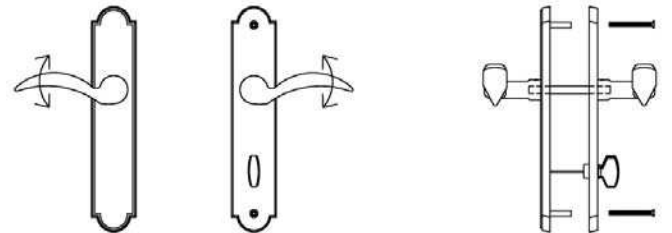
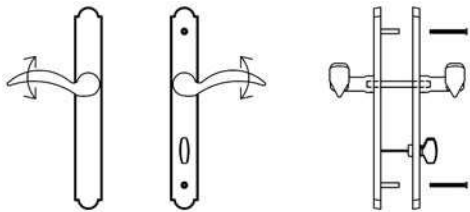
2" x 10" Plates, Product Codes 1622, 1642, 1662, 1682, 1602



Non-Keyed, American Style Thumbturn Inside (for Active Door)

1 1/2" x 11" Plates, Product Codes 1613, 1633, 1653, 1673, 1693

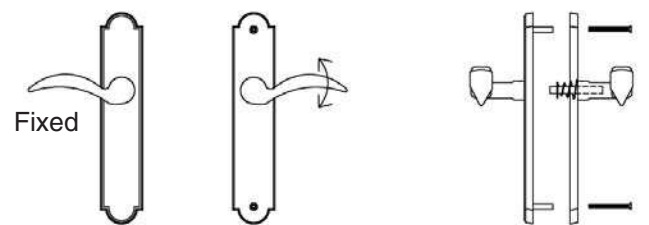
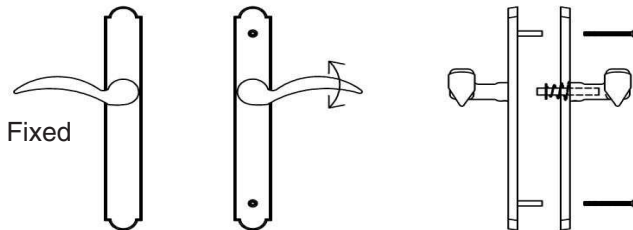
2" x 10" Plates, Product Codes 1623, 1643, 1663, 1683, 1603



Non-Keyed, Fixed Handle Outside, Operating Handle Inside (for Semi-Active Door)

1 1/2" x 11" Plates, Product Codes 1614, 1634, 1654, 1674, 1694

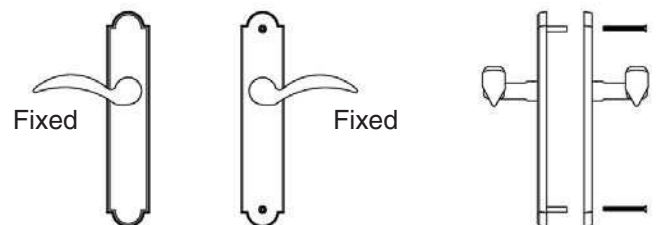
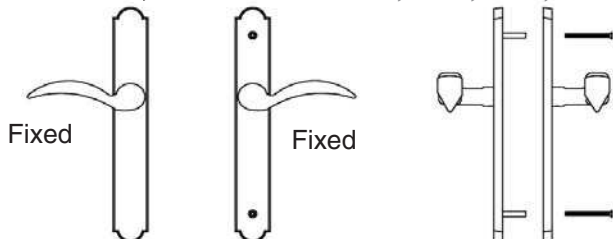
2" x 10" Plates, Product Codes 1624, 1644, 1664, 1684, 1604



Dummy Pair (for Non-Active Door)

1 1/2" x 11" Plates, Product Codes 1615, 1635, 1655, 1675, 1695

2" x 10" Plates, Product Codes 1625, 1645, 1665, 1685, 1605



Sandcast Bronze Trim and Cylinders for Multi Point Locks

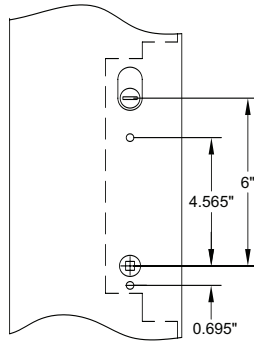
Swinging Patio Door Hardware - Set includes Plates, Handles and Cylinders (where applicable)

Door Configuration #7

W&F Manufacturing®



Sandcast
Arched
2" x 10" Plate
Durango Lever



Sandcast
Rectangular
2" x 10" Plate
Teton Lever

Product Code	Specify Lever Style And Handing	Finish	List Price
--------------	---------------------------------	--------	------------

Sandcast Bronze Arched Plates

Sets with 2" x 10" Plates

- Keyed with American Cylinder (Schlage® Keyway, rekeyable) ————— **1721**
- Non-Keyed, American Style T-turn Inside (Patio Function) ————— **1723**
- Dummy Pair ————— **1725**
- Non-Keyed, American Style T-turn Inside, Fixed Handles ————— **1726**

Sandcast Bronze Rectangular Plates

Sets with 2" x 10" Plates

- Keyed with American Cylinder (Schlage® Keyway, rekeyable) ————— **1761**
- Non-Keyed, American Style T-turn Inside (Patio Function) ————— **1763**
- Dummy Pair ————— **1765**
- Non-Keyed, American Style T-turn Inside, Fixed Handles ————— **1766**

Durango Cody or Teton Lever (LH/RH)	Deep Burgundy (DB) Medium Bronze(MB) Silver Patina (SP) Flat Black (FB)	\$138⁶⁰
---	--	---------------------------

**Handing required.
Key codes may be specified.
Sets fit standard door thickness of 1³/₄", specify if different.**

Lost Wax Cast Bronze Trim and Cylinders for Multi Point Locks

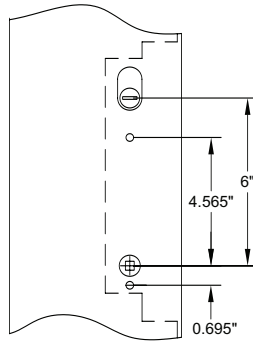
Swinging Patio Door Hardware - Set includes Plates, Handles and Cylinders (where applicable)

Door Configuration #7

W&FManufacturing®



Tuscany
2" x 10" Plate
Medici Lever



Tuscany
2" x 10" Plate
Napoli Lever

Product Code	Specify Lever Style And Handing	Finish	List Price
<ul style="list-style-type: none"> Keyed with American Cylinder (Schlage® Keyway, rekeyable) — 1741 Non-Keyed, American Style T-turn Inside (Patio Function) — 1743 Dummy Pair — 1745 Non-Keyed, American Style T-turn Inside, Fixed Handles — 1746 	<p>Medici Napoli Octagon Padua or Art Nouveau Lever (LH/RH)</p>	<p>Deep Burgundy (DB) Medium Bronze(MB) Silver Patina (SP) Flat Black (FB)</p>	<p>\$138⁶⁰</p>

Lost Wax Cast Bronze Plates

Sets with 2" x 10" Plates

- Keyed with American Cylinder (Schlage® Keyway, rekeyable) — 1741
- Non-Keyed, American Style T-turn Inside (Patio Function) — 1743
- Dummy Pair — 1745
- Non-Keyed, American Style T-turn Inside, Fixed Handles — 1746

**Handing required.
Key codes may be specified.
Sets fit standard door thickness of 1³/₄", specify if different.**

Specification Sheet - Door Configuration #7
Sandcast Bronze and Lost Wax Cast Bronze Trim and Cylinders for Multi Point Locks

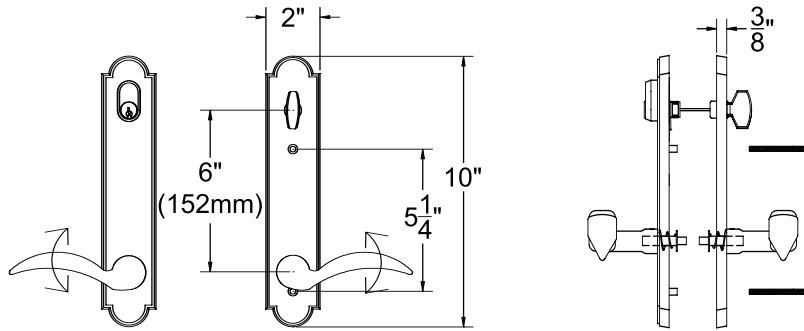
Swinging Patio Door Hardware - Set includes Plates, Handles and Cylinders (where applicable)

Door Configuration #7

W&F Manufacturing®

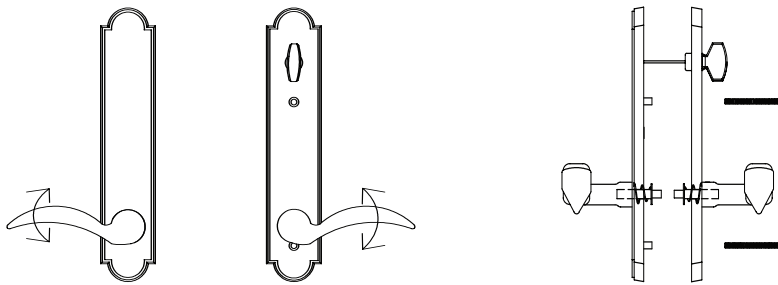
Keyed with American Cylinder (for Active Door, Schlage Keyway, Rekeyable)

2" x 10" Plates, Product Codes 1721, 1741, 1761



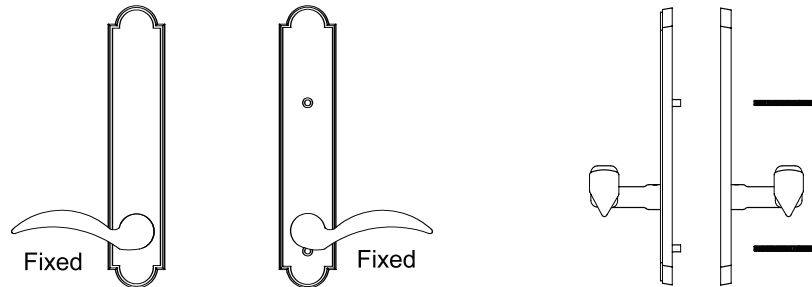
Non-Keyed, American Style T-Turn Inside (Active Door)

2" x 10" Plates, Product Codes 1723, 1743, 1763



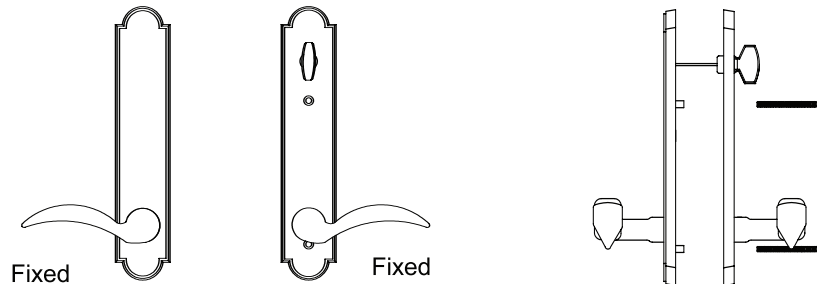
Non-Keyed, American Style Thumbturn Inside (for Active Door)

2" x 10" Plates, Product Codes 1725, 1745, 1765

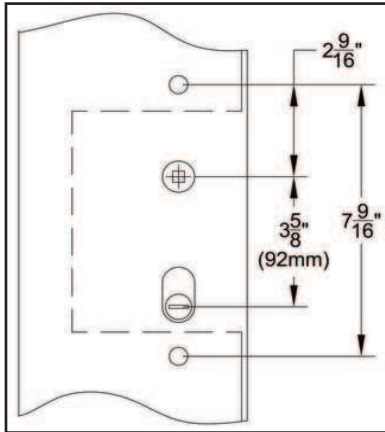


Non-Keyed, Fixed Handles, American Style T-Turn Inside (for Semi-Active Door)

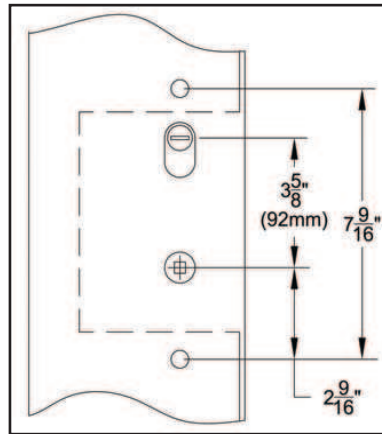
2" x 10" Plates, Product Codes 1726, 1746, 1766



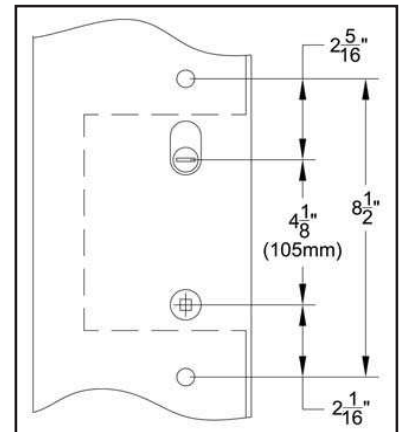
**Choose trimsets for seven door and lock configurations.
Both keyed and non-keyed functions available for each configuration**



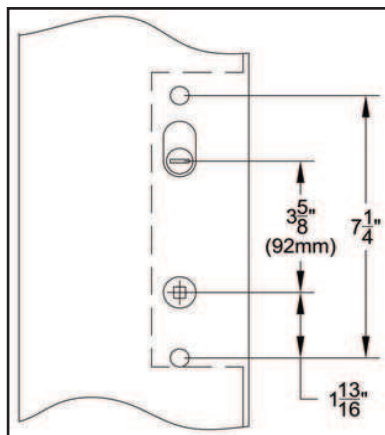
Door Configuration #1
American Cylinder Below Handle
3⁵/₈" Center to Center



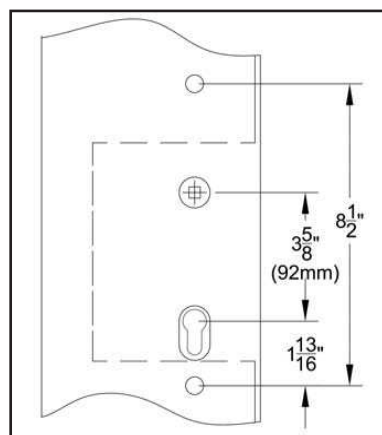
Door Configuration #2
American Cylinder Above Handle
3⁵/₈" Center to Center



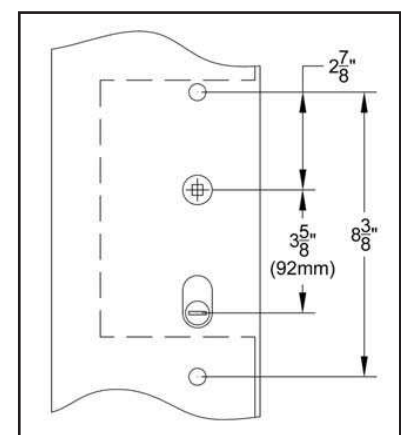
Door Configuration #3
American Cylinder Above Handle
4¹/₈" Center to Center



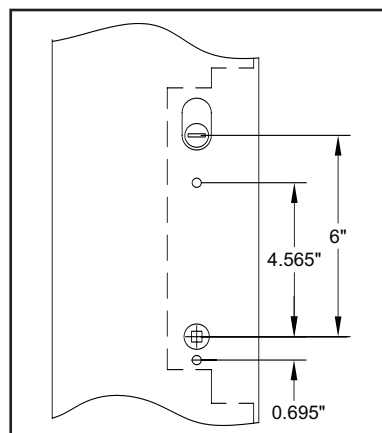
Door Configuration #4
American Cylinder Above Handle
3⁵/₈" Center to Center



Door Configuration #5
Euro Profile Cylinder Below Handle
3⁵/₈" Center to Center



Door Configuration #6
American Cylinder Below Handle
3⁵/₈" Center to Center



Door Configuration #7
American Cylinder Hub Above Handle
6" Center to Center

LIMITED WARRANTY

Emtek Products, Inc. (the "Company") warrants to the original purchaser, the products manufactured by it (the "Products") are free of defects in material and workmanship, provided:

1. the Company has been notified within five years of purchase date and been given the opportunity of inspection by return of any alleged defective Products to the Company, free and clear of all liens and encumbrances, transportation prepaid, accompanied by a statement of defects and proof of purchase; and
2. the Product has not been modified, abused, misused or improperly installed, maintained and/or repaired during such period; and

There is no warranty on Deep Burgundy, Medium Bronze, Silver Patina and Flat Black finishes.

The Company shall, at its options, either repair or replace, free of charge, any Products or part thereof found upon the Company's inspection, to be so defective, or at the Company's sole discretion refund the purchase price, less a reasonable allowance for depreciation, in exchanged for the Product.

The Company makes no other warranty, and all implied warranties including any warranty of merchantability or fitness for a particular purpose are limited to the duration of the expressed warranty period as set forth above.

The Company's maximum liability hereunder is limited to the purchase price of the product. In no event shall the Company be liable for any consequential, indirect, incidental or special damages of any nature arising from the sale or use of the product, whether in contract, tort, strict liability or otherwise.

Notes:

- A. Some states do not allow limitations on incidental consequential damages or how long an implied warranty lasts so that the above limitations may not fully apply.
- B. This warranty gives specific legal rights and a buyer may also have other rights which may vary from state to state.
- C. For warranty service and shipping instructions contact Emtek Products, Inc. at:
15250 E. Stafford Street, City of Industry, CA 91744, (626)961-0413.